

RAISED GARDEN BED

With ProWood® Professional Grade pressure-treated lumber, you can easily build several raised garden beds in a single afternoon. These beds are perfect for growing vegetables, herbs or flowers on your patio or in your yard. Although this project plan includes dimensions and instructions for building two different-sized beds, it can be easily customized to suit your purpose and space by changing the measurements.

Materials

For one 36" x 60" x 15"

raised garden bed:

- Four 2" x 8" x 8' ProWood® pressure-treated boards
- One 4" x 4" x 8' ProWood® pressure-treated post

For one 48" x 96" x 15"

raised garden bed:

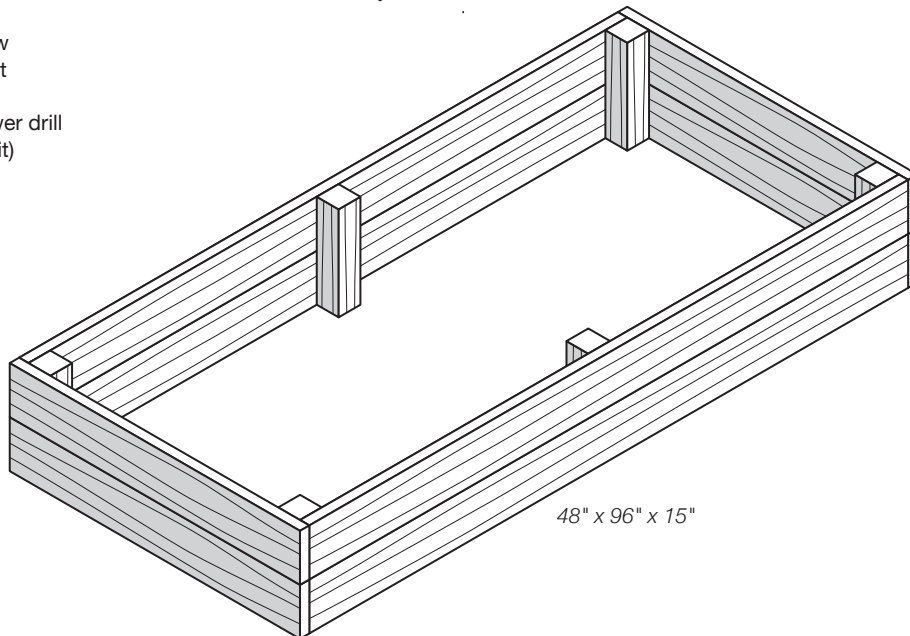
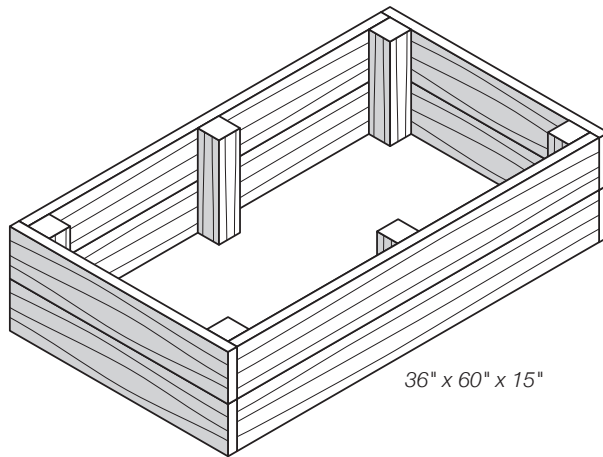
- Six 2" x 8" x 8' ProWood® pressure-treated boards
- One 4" x 4" x 8' ProWood® pressure-treated post

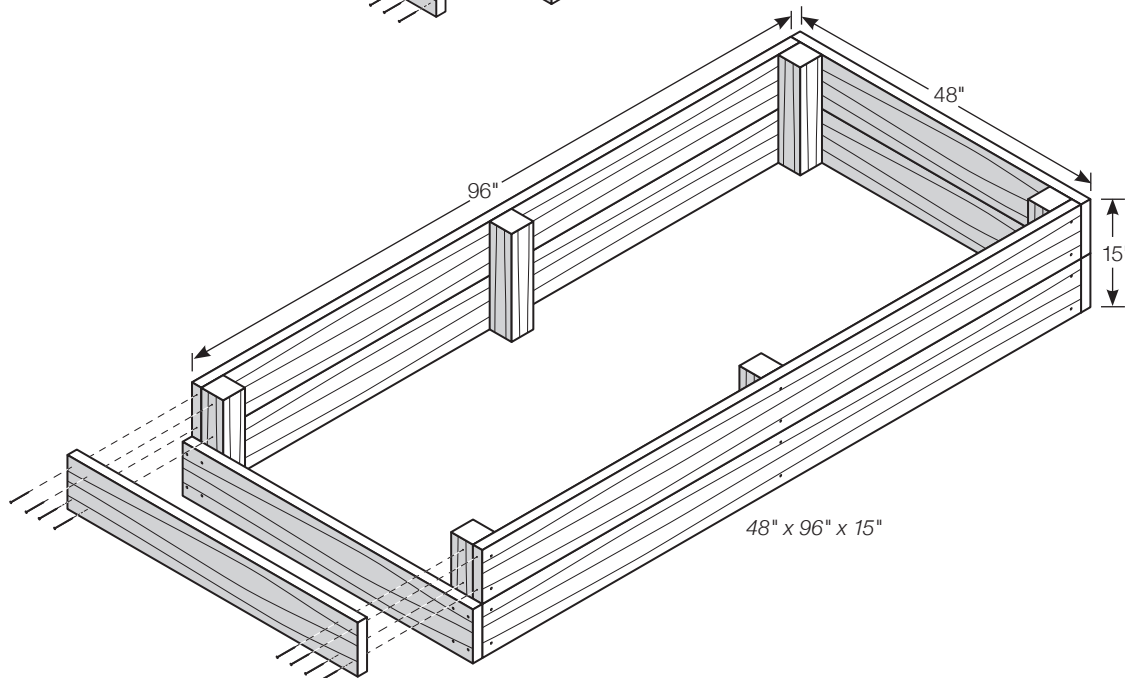
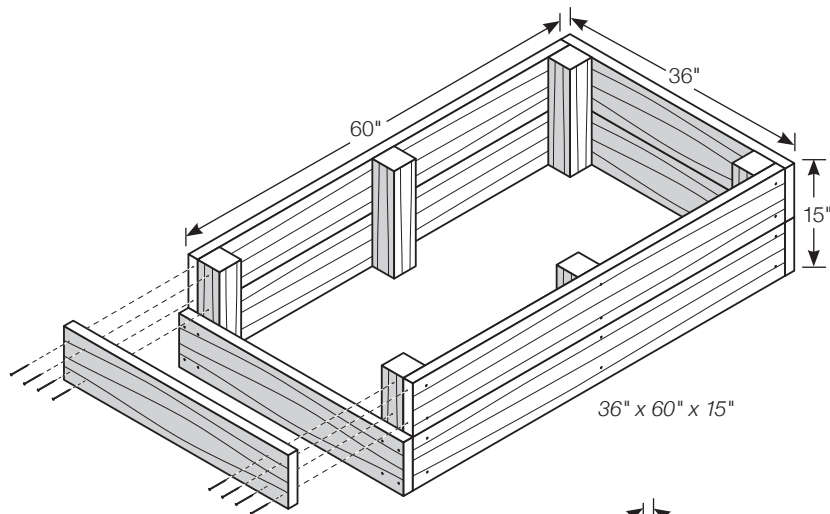
For either raised garden bed:

- One box of 3" #8 galvanized all-purpose screws
- Exterior wood glue

Basic Tools

- Circular or table saw
- Drill and 1/8" drill bit
- Countersink bit
- Screwdriver (or power drill with screwdriving bit)
- Tape measure
- Carpenter's square





General Assembly Advice

- Establish a screw pattern to enhance the overall look and feel of the final assembled product.
- Pre-drill all screw holes to ease their insertion into the wood and prevent splitting.
- Countersink all screws so the head of a countersunk screw, when screwed into the hole, will sit flush with or below the surface of the surrounding material.

Cut Lumber to Size

Caution: Always wear gloves, a dust mask and eye protection when sawing, sanding or machining wood.

Using a circular or table saw on a clean, flat, level surface, cut the ProWood® pressure-treated wood for the components of the raised garden bed as follows:

For one 36" x 60" x 15" raised garden bed:

- Sides: Four 2" x 8" x 60"
- Ends: Four 2" x 8" x 36"
- Posts: Six 4" x 4" x 15"

For one 48" x 96" x 15" raised garden bed:

- Sides: Four 2" x 8" x 96"
- Ends: Four 2" x 8" x 48"
- Posts: Six 4" x 4" x 15"

Attach Sides

Refer to the illustrations on page 2.

- Select two side boards and two end posts and lay the boards on the posts. Make sure the side boards are flush and square with the top and the ends of the posts.
- Attach two side boards to two end posts using 3" #8 galvanized all-purpose screws and wood glue.
- Measure and mark the inside center of the side boards and one side of what will be your center post.
- Align the center post with the inside of the two side boards.
- Attach the two boards to the center post using 3" #8 galvanized all-purpose screws and wood glue. Make sure the top and bottom of the side boards are flush with the top and bottom of the center post.
- Repeat the above directions to build the second side.

Attach Ends

Refer to the illustrations on page 2.

- Make sure the end boards are flush and square with the top and bottom of the posts, as well as with the outside of each of the four side boards.
- Attach the boards using 3" #8 galvanized all-purpose screws and wood glue.
- Repeat the above directions to build the second end.

Install Garden Bed

Move the raised garden bed to its desired location.

- Consider a level area with the right amount of sunlight. If needed, the bed may be bermed or cut into an unlevel yard so it can maintain sufficient drainage.
- If desired, or if the raised garden bed will be placed on a patio, attach landscape fabric to the bottom of the bed using galvanized staples. Trim away excess. Fabric will help prevent soil from seeping out the bottom, yet allow for proper drainage. The fabric should be attached somewhat loosely so that it may settle over the underlying surface, as well as accommodate the heavy soil mix.
- Before final garden bed placement, break up and loosen 6-8" of underlying earth with a shovel or garden rake until it's no longer hard or compacted. This will help maximize drainage.
- Fill the bed with your preferred potting soil mix, sow seeds or transplant accordingly, and tend to your garden as needed.

Clean, odorless, nonstaining and nonirritating, ProWood MCA (micronized copper azole) treated lumber is safe for humans, animals and the environment. The process we use to treat has gained Environmentally Preferable Product (EPP) status as certified by Scientific Certification Systems (SCS), a third-party certification services and standards development company. The preservative in ProWood MCA treated lumber has earned NAHB's Green Approved Product Certification and the GREENGUARD Children & Schools Certification.



This document is for illustration purposes only. Use of this product must be in accordance with all local zoning and/or building codes. Consumer assumes all risks and liability associated with the use of this product. For details on safe handling, go to UFPI.com/ptinfo. Warrantor does not provide any warranty, either express or implied, and shall not be liable for any damages, including consequential damages. 7094 05/15