



## ProWood® Project Plan

# POTTING BENCH

With ProWood® Professional Grade pressure-treated lumber, you can easily build this sturdy 2' x 4' x 6' potting bench for your deck, patio or yard. It features a decorative lattice panel, a smooth level work surface, and two shelves for conveniently storing your potting containers, materials and tools.

### Materials

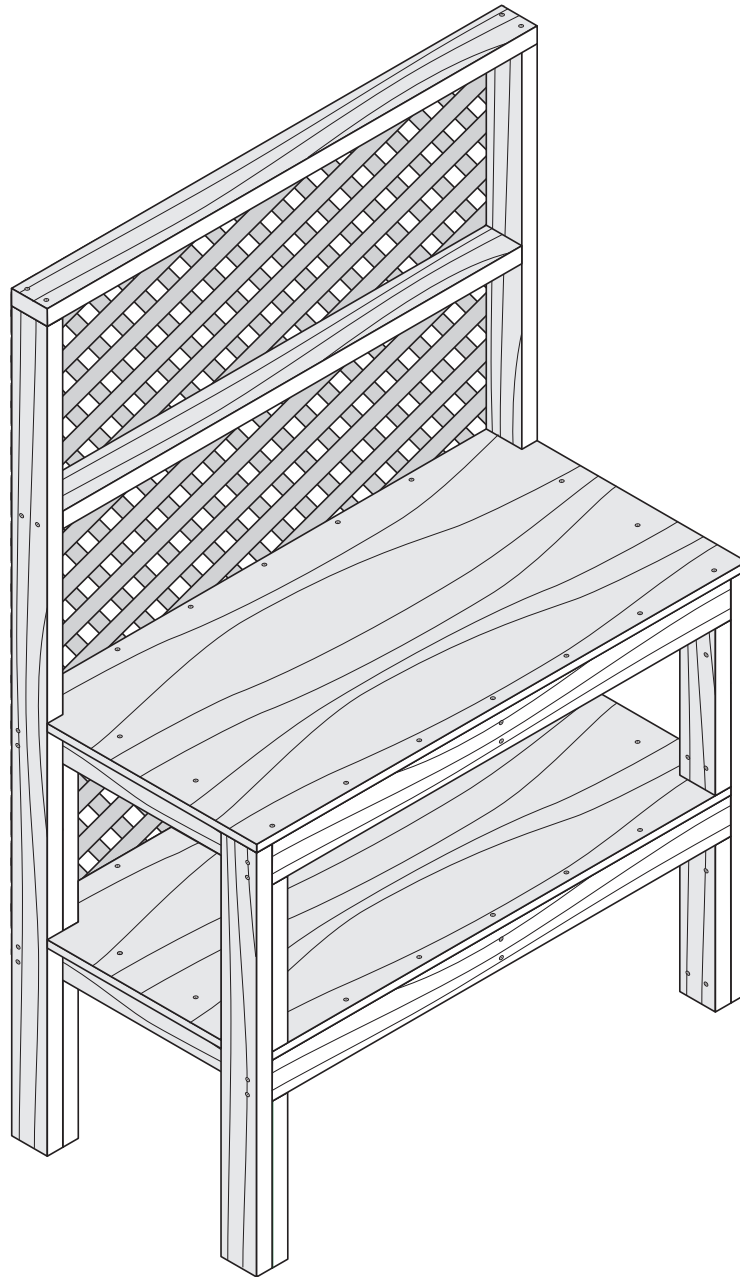
- Four 2" x 4" x 8' ProWood® pressure-treated boards
- Three 2" x 4" x 10' ProWood® pressure-treated boards
- One 3/4" x 4' x 4' ProWood® pressure-treated plywood
- One 4' x 8' lattice panel
- One box of 2-1/2" #8 galvanized all-purpose screws
- One box of 1-5/8" #6 galvanized all-purpose screws
- Exterior wood glue

### Basic Tools

- Circular or table saw
- Jigsaw
- Drill and 1/8" drill bit
- Countersink bit
- Screwdriver (or power drill with screwdriving bit)
- Tape measure
- Carpenter's square

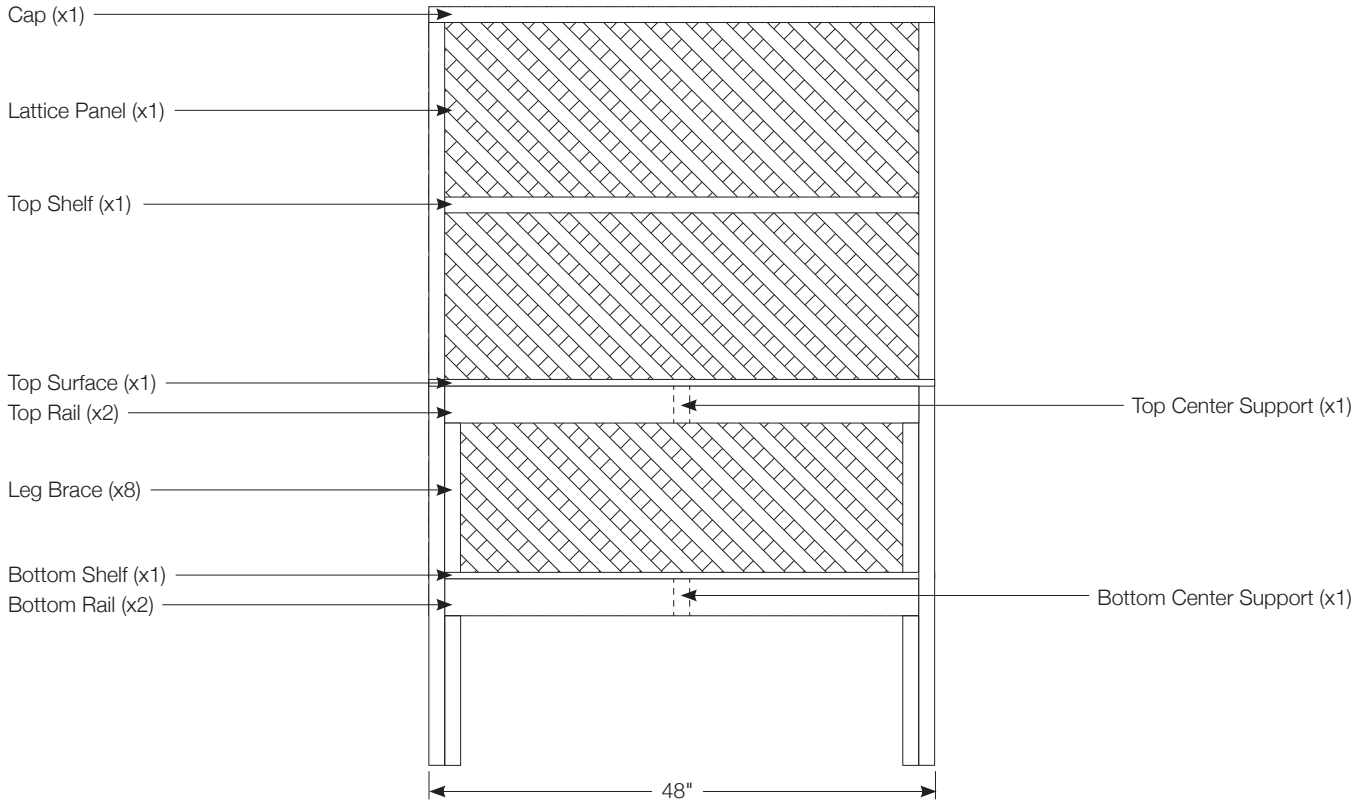
### Optional:

- Putty knife
- Assorted sandpaper (course, medium and fine grit)
- Quality exterior primer and paint or stain and sealer
- Paint or stain brush

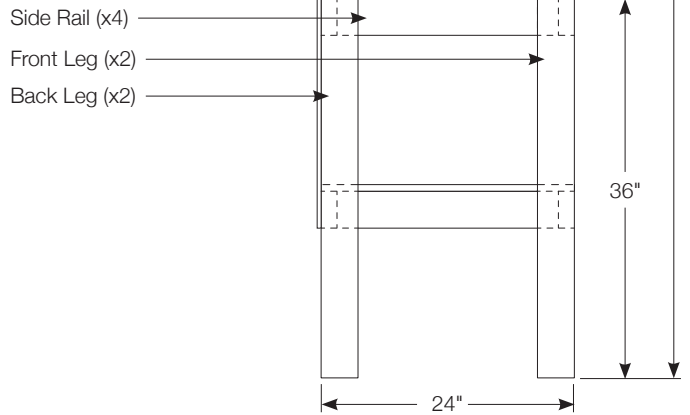


If your wood project touches the ground, use pressure-treated lumber that is rated for ground contact to ensure long-term performance.

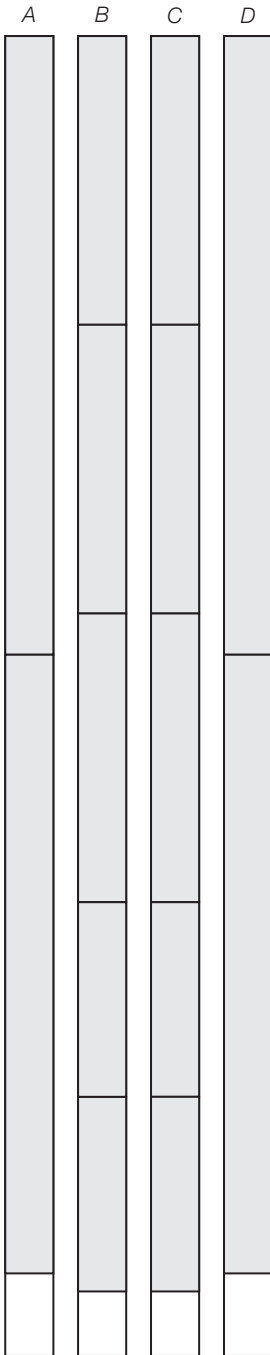
*Front Elevation*



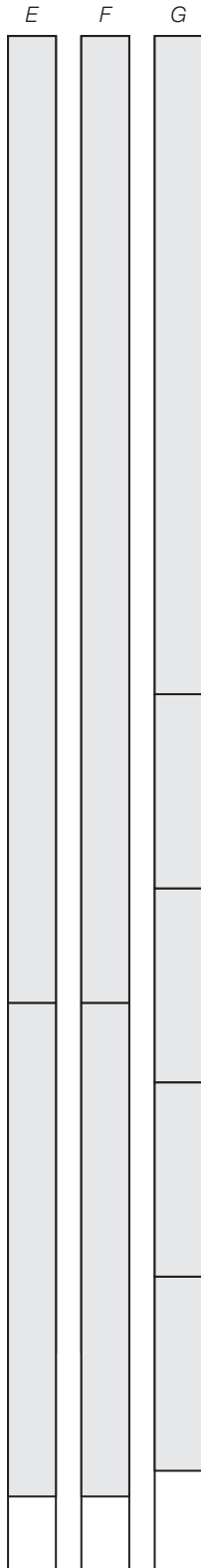
*Side Elevation*



**2" x 4" x 8'**



**2" x 4" x 10'**



**Cut Lumber to Size**

**Caution:** Always wear gloves, a dust mask and eye protection when sawing, sanding or machining wood.

Using a circular or table saw on a clean, flat, level surface, cut the ProWood® pressure-treated wood for the components of the potting bench as follows:

**From 2" x 4" x 8' Board**

Refer to the illustration on the left.

- A. (2) Top and Bottom Rails at 2" x 4" x 45"
- B. (2) Top and Shelf Center Supports at 2" x 4" x 21"
  - (1) Side Rail at 2" x 4" x 21"
  - (2) Upper and Lower Leg Braces at 2" x 4" x 14-5/32"
- C. (3) Side Rails at 2" x 4" x 21"
  - (2) Upper and Lower Leg Braces at 2" x 4" x 14-5/32"
- D. (2) Top and Bottom Rails at 2" x 4" x 45"

**From 2" x 4" x 10' Board**

Refer to the illustration on the left.

- E. (1) Back Leg at 2" x 4" x 70-1/2"
  - (1) Front Leg at 2" x 4" x 36"
- F. (1) Back Leg at 2" x 4" x 70-1/2"
  - (1) Front Leg at 2" x 4" x 36"
- G. (1) Cap at 2" x 4" x 48"
  - (4) Upper and Lower Leg Braces: 2" x 4" x 14-5/32"

**From 4' x 8' Lattice Panel**

No illustration provided.

- H. (1) Lattice Panel Back at 48" x 58"

**General Assembly Advice**

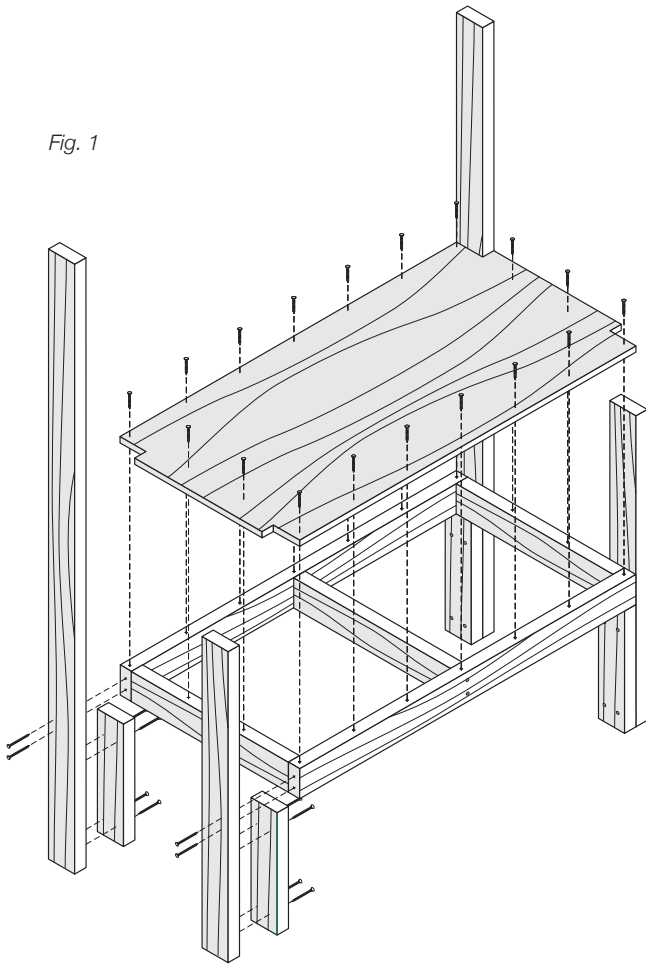
- Establish a screw pattern to enhance the overall look and feel of the final assembled product.
- Apply exterior wood glue to joining-material surfaces before attaching the pieces together with screws or nails.
- Pre-drill all screw holes to ease the insertion of screws into the wood and prevent splitting.
- Countersink all screws so the head of a countersunk screw, when screwed into the hole, will sit flush with or below the surface of the surrounding material.

**Finishing Advice**

After the potting bench has been assembled, consider sanding and preserving it with either paint or stain.

- Use a putty knife and apply exterior wood putty to all countersunk holes.
- When putty has dried, use coarse, medium and fine grit sandpaper to smooth and debur all surfaces. Ideally, the top work surface should be completely smooth.
- To preserve the final workbench, apply a quality exterior stain and sealer or primer and paint.

Fig. 1



### Attach Lower Leg Braces

*Refer to Fig. 1 illustration on this page.*

Align a Lower Leg Brace to the inside and bottom of one Front Leg. Make sure the bottom and sides of the Brace and Leg are flush. Attach the Brace to the inside of the Leg using four 2-1/2" screws. Repeat this process for attaching the other Lower Leg Braces to the inside of the three remaining Legs.

### Attach Front and Back Bottom Rails

*Refer to Fig. 1 illustration on this page.*

Align a Bottom Rail to the inside of the two Front Legs. Make sure the bottom of the Rail rests upon the top of the Lower Leg Braces. Attach the Rail to the Legs using two 2-1/2" screws on the outside of each leg.

Repeat this process for attaching the other Lower Leg Brace to the inside of the two Back Legs.

### Attach Bottom Side Rails

*Refer to Fig. 1 illustration on this page.*

Align a Bottom Side Rail to the inside of one Front Leg and one Back Leg. Make sure the bottom of the Rail rests upon the top of the Lower Leg Braces. Attach the Rail to the Legs using two 2-1/2" screws on the inside of each leg.

Repeat this process for attaching the other Bottom Side Rail to the other two remaining Legs.

### Attach Bottom Center Support

*Refer to Fig. 1 illustration on this page.*

Measure and mark the center of the top edges of the Bottom Center Support and on each of the two Bottom Rails.

Align the Support to the inside of both Rails. Make sure the top surface of the Support and Rails are flush. Attach the Support to the Rails using two 2-1/2" screws each and from the outside of both Rails.

### Attach the Bottom Shelf

*Refer to Fig. 1 illustration on this page.*

Using a scrap piece of 2" x 4" wood, place it on a corner of the Bottom Shelf and mark its shape with a pencil. Repeat this process for the other three Shelf corners.

Using a jigsaw, cut out the four notches.

Place the Shelf on top of the Rails. Make sure the Shelf bottom rests upon the top of the four Rails.

Using a carpenter's square, make sure the "frame" is square.

Attach the Shelf to the Rails using 1-5/8" screws.

## Attach Upper Leg Braces

*Refer to Fig. 2 illustration on this page.*

Place an Upper Leg Brace on top of the Lower Shelf and flush against the inside of one of the Front Legs.

Attach the Brace to the inside of the Leg using four 2-1/2" screws.

Repeat this process for attaching the other Upper Leg Braces to the inside of the three remaining Legs

## Attach Front and Back Top Rails

*Refer to Fig. 2 illustration on this page.*

Align a Top Rail to the inside of the two Front Legs. Make sure the bottom of the Rail rests upon the top of the Upper Leg Braces.

Attach the Rail to the Legs using two 2-1/2" screws on the outside of each leg.

Repeat this process for attaching the Back Top Rail to the inside of the two Back Legs.

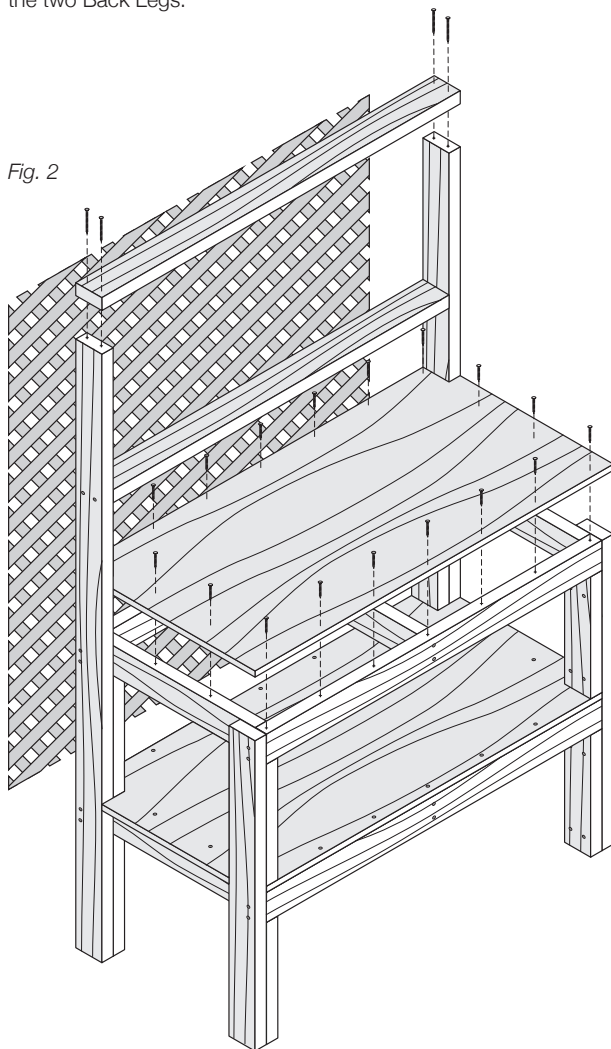


Fig. 2

## Attach Top Side Rails

*Refer to Fig. 2 illustration on this page.*

Align a Top Side Rail to the inside of one Front Leg and one Back Leg. Make sure the bottom of the Rail rests upon the top of the Lower Leg Braces. Attach the Rail to the Legs using two 2-1/2" screws on the inside of each leg.

Repeat this process for attaching the other Top Side Rail to the other two remaining Legs.

## Attach Top Center Support

*Refer to Fig. 2 illustration on this page.*

Measure and mark the center of the top edges of the Top Center Support and on each of the two Top Rails.

Align the Support to the inside of both Rails. Make sure the top surface of the Support and Rails are flush. Attach the Support to the Rails using two 2-1/2" screws each and from the outside of both Rails.

## Attach Top Surface

*Refer to Fig. 2 illustration on this page.*

Using a scrap piece of 2" x 4" wood, place it on the back corner of the Surface and mark its shape with a pencil. Repeat this process for the other back Surface corner.

Using a jigsaw, cut out the two notches.

Place the Surface on top of the Rails. Make sure the Surface bottom rests upon the top of the four Rails.

Using a carpenter's square, make sure the "frame" is still square.

Attach the Surface to the Rails using 1-5/8" screws.

## Attach Top Shelf

*Refer to Fig. 2 illustration on this page.*

Measure and mark the inside center of the two Back Legs between the Top Surface and the top of the Back Legs.

Place and align the Shelf to the inside of both Legs. Make sure the front and back surface of the Shelf and Rails are flush.

Attach the Shelf to the Legs using two 2-1/2" screws each and from the outside of both Legs.

## Attach Cap

*Refer to Fig. 2 illustration on this page.*

Place and align the Cap on top of the two Back Legs.

Attach the Cap to the Legs using two 2-1/2" screws on each end.

## Attach Lattice Panel

*Refer to Fig. 2 illustration on this page.*

Place and align the Lattice Panel along the back of the Cap and the two Back Legs. Make sure it is flush with the top of the Cap and the outside edge of both back legs.

Attach the Lattice Panel to the Cap and Legs using 1-5/8" screws.

Clean, odorless, nonstaining and nonirritating, ProWood MCA (micronized copper azole) treated lumber is safe for humans, animals and the environment. The process we use to treat has gained Environmentally Preferable Product (EPP) status as certified by Scientific Certification Systems (SCS), a third-party certification services and standards development company. The preservative in ProWood MCA treated lumber has earned NAHB's Green Approved Product Certification and the GREENGUARD Children & Schools Certification.



This document is for illustration purposes only. Use of this product must be in accordance with all local zoning and/or building codes. Consumer assumes all risks and liability associated with the use of this product. For details on safe handling, go to [UFPI.com/ptinfo](http://UFPI.com/ptinfo). Warrantor does not provide any warranty, either express or implied, and shall not be liable for any damages, including consequential damages. 7094 08/16