



ProWood® Project Plan

OUTDOOR COOLER STAND

With ProWood® Professional Grade pressure-treated wood, you can easily build this sturdy outdoor cooler stand and expand your family's backyard fun. This project plan includes instructions for building a stand to accommodate a standard 48-quart cooler that can easily be removed instead of being permanently attached to the stand. It also features two towel racks and a bottom shelf for additional storage.

Materials

- Three 2" x 4" x 8' ProWood® pressure-treated boards
- Eleven 1" x 4" x 8' ProWood® pressure-treated boards
- One 24" x 1-1/2" continuous hinge and screws
- One 5" pull handle
- One small box of 2-1/2" #8 galvanized all-purpose screws
- Two small boxes of 1-1/4" #8 galvanized all-purpose screws
- Exterior wood glue

Optional:

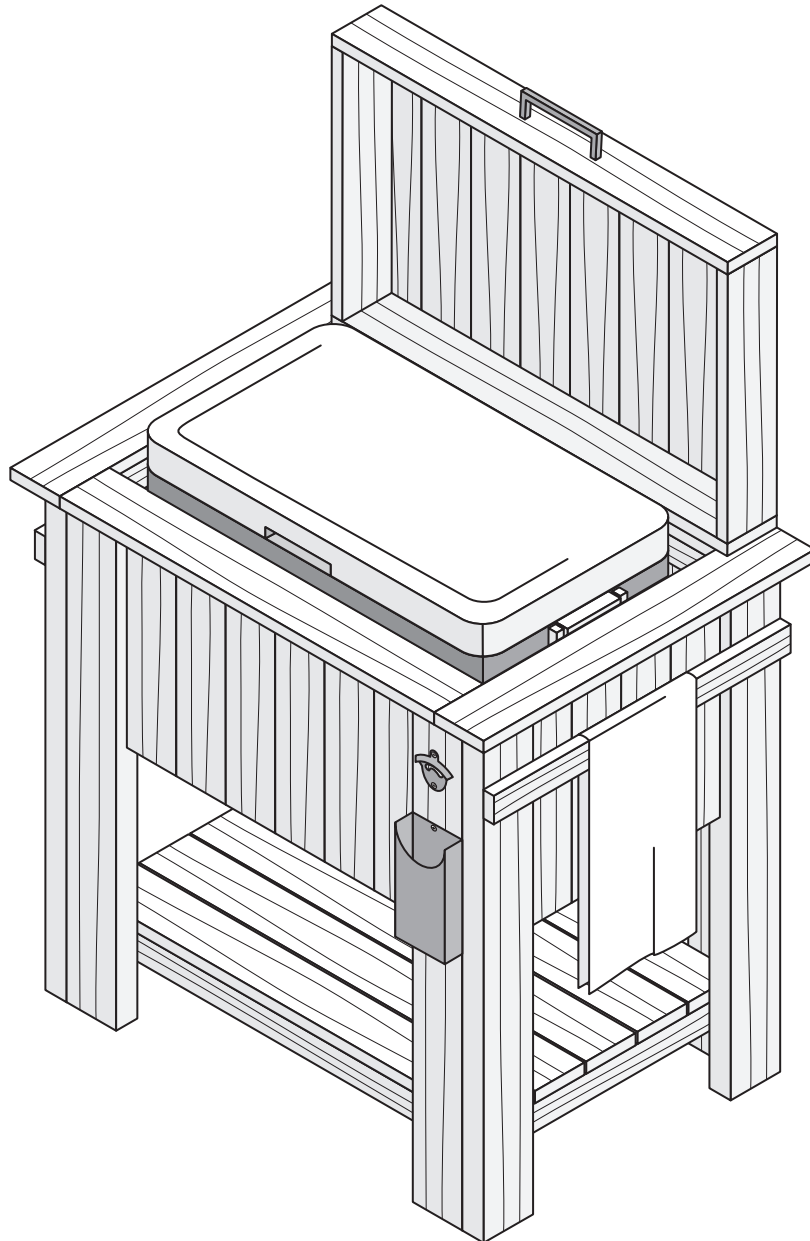
- One surface-mount bottle opener and one cap catcher

Basic Tools

- Table saw or circular saw and straightedge
- Drill and 7/64" drill bit
- 3/8" countersink bit
- Screwdriver (or power drill with screwdriving bit)
- Tape measure
- Carpenter's level
- Carpenter's square

Optional:

- Exterior wood putty and 1" putty knife
- Assorted sandpaper (course, medium and fine grit)
- Quality exterior primer and paint or stain and sealer
- Paint or stain brush



If your wood project touches the ground, use pressure-treated lumber that is rated for ground contact to ensure long-term performance.

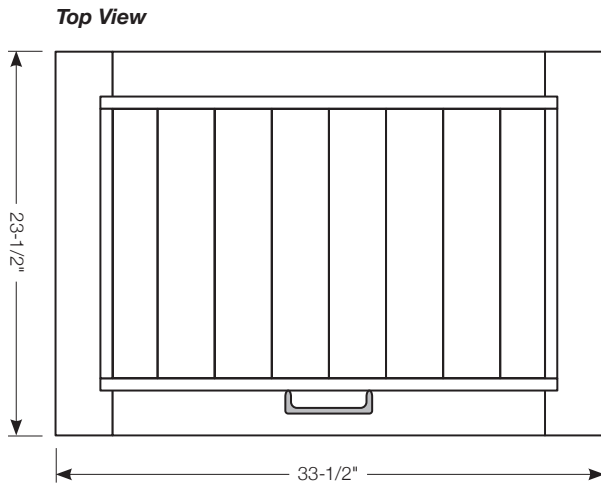
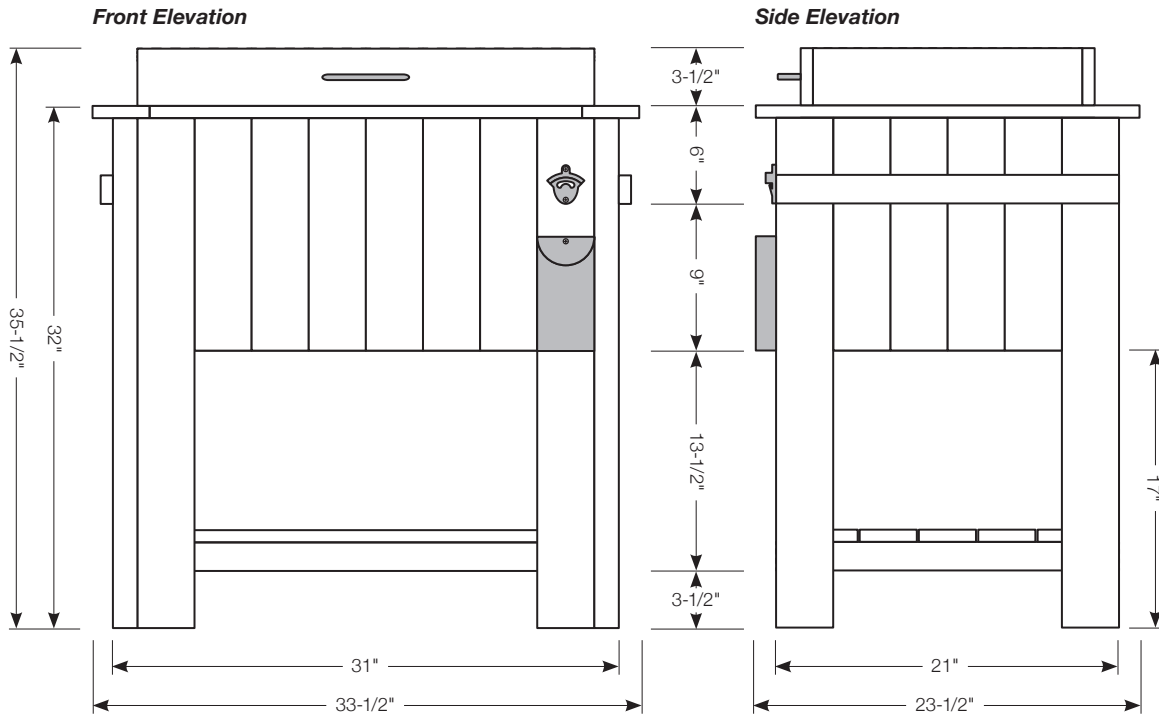


Fig. 1

Eight Legs
2" x 4" x 8'

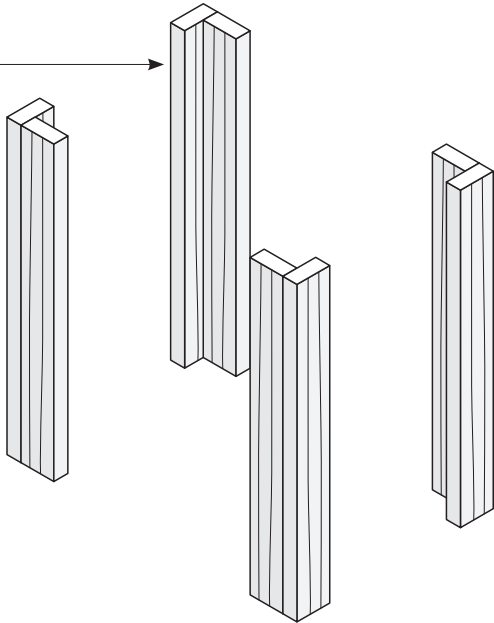


Fig. 2

Six Side Aprons
1" x 1-3/4" x 18"

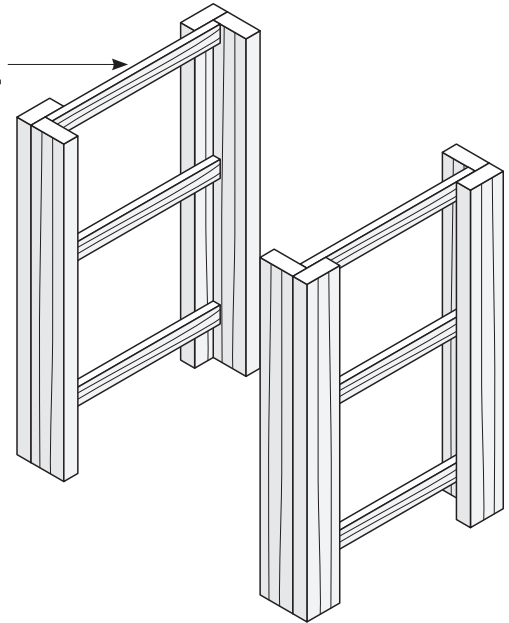


Fig. 3

Six Front and
Back Aprons
1" x 1-3/4" x 26-1/2"

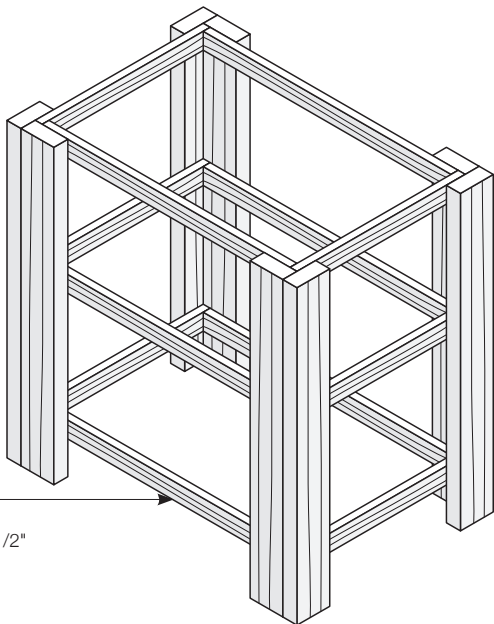


Fig. 4

Five Bottom
Shelf Planks
1" x 4" x 28"

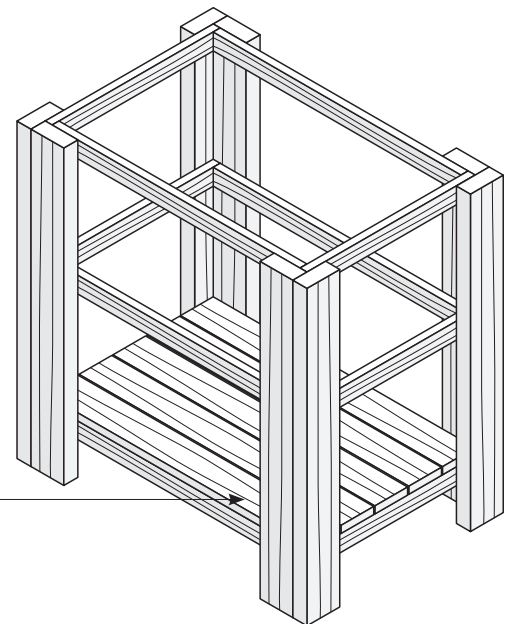


Fig. 5

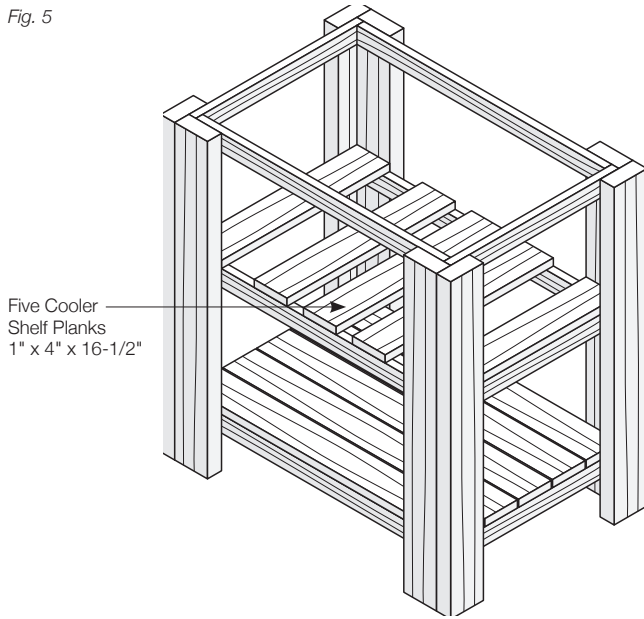


Fig. 6

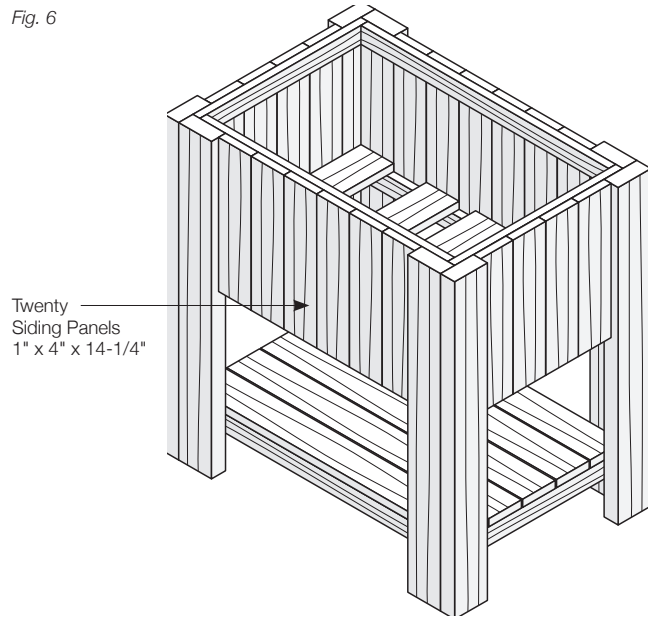


Fig. 7

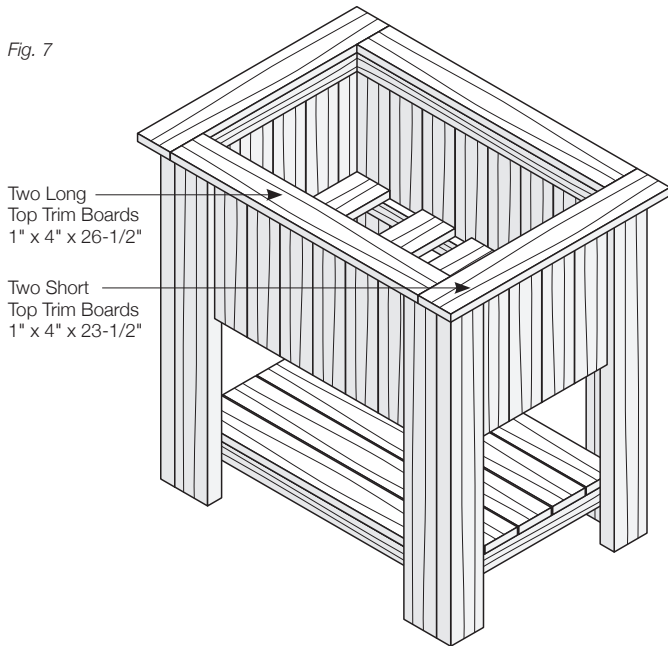


Fig. 8

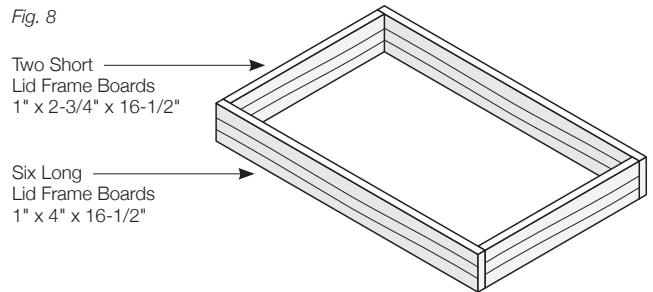


Fig. 9

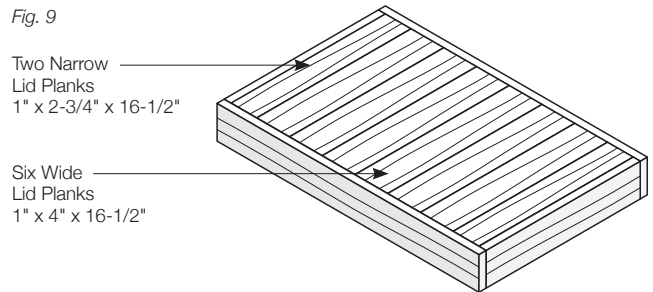


Fig. 10

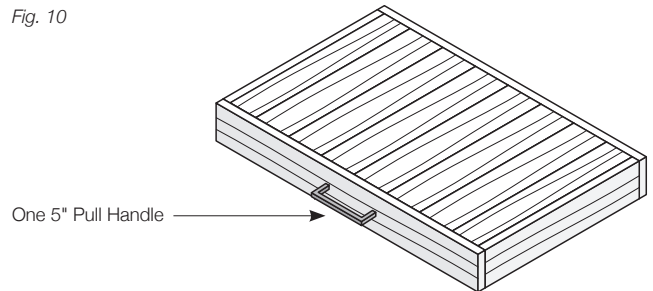


Fig. 11

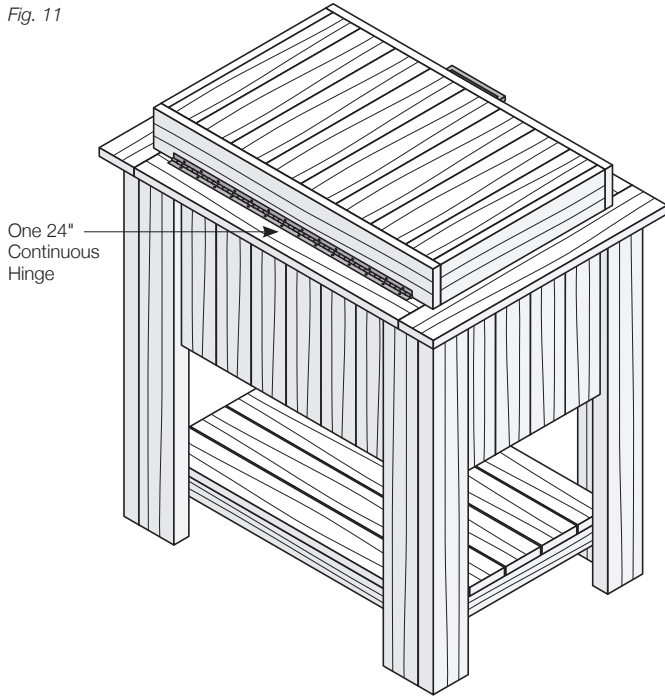


Fig. 12

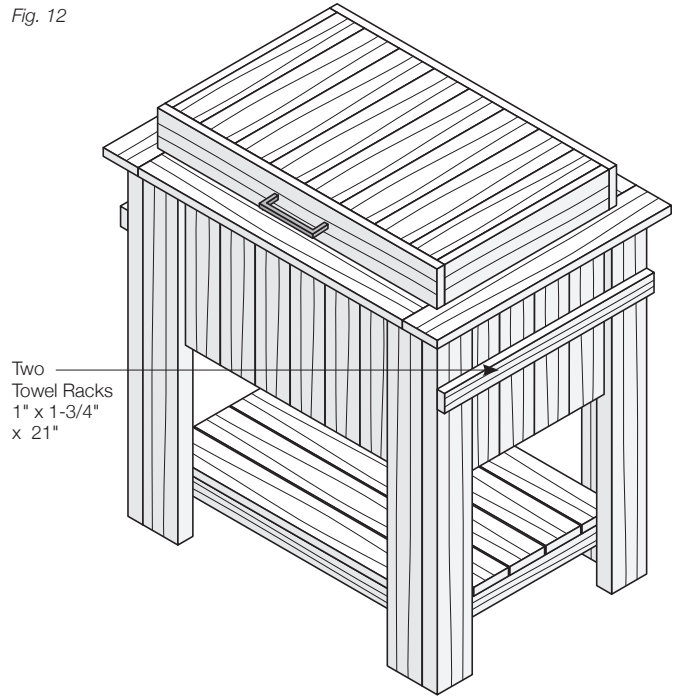


Fig. 13

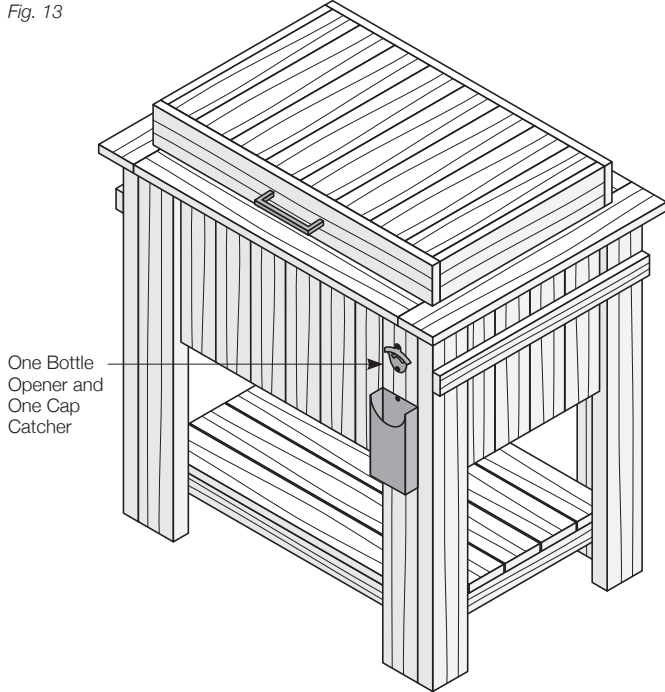
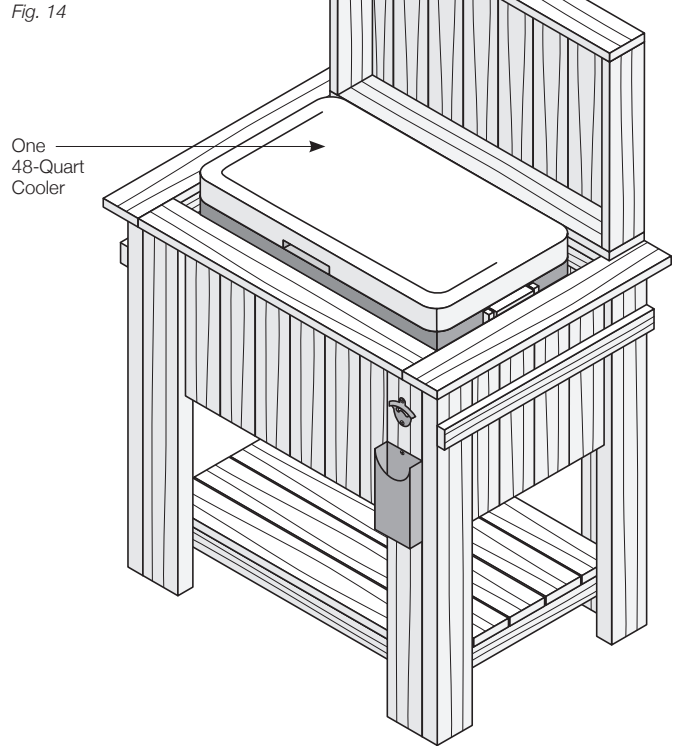


Fig. 14



Board Cut Diagram

2" x 4" x 8' Boards
 Refer to Cut Lumber to Size section below for actual cut sizes.

1	1	1	
1	1	1	
1	1		

1" x 4" x 8' Boards
 Refer to Cut Lumber to Size section below for actual cut sizes.

2	2	2	5	
3	3	3	5	5
4	4	4		
4	4	5	5	
6	6	6	6	
6	6	6	6	8
6	6	6	6	8
6	6	7	7	
6	9	10	10	11
9	11	12	12	12
12	12	12	13	

Cut Lumber to Size

Caution: Always wear gloves, a dust mask and eye protection when sawing, sanding or machining wood.

Using a table or circular saw with a straightedge on a clean, flat, level surface, and referring to the above diagram to minimize waste, cut the wood for the components of the outdoor cooler stand as follows.

*Actual size determined by measuring first. See assembly instructions.

From 2" x 4" x 8' boards:

- (1) Eight Legs at 2" x 4" x 31-1/4"

From 1" x 4" x 8' boards:

- (2) Three Front and Back Aprons at 1" x 4" x 26-1/2"
 Then rip each piece lengthwise to six 1" x 1-3/4" x 26-1/2"
- (3) Three Side Aprons at 1" x 4" x 18"
 Then rip each piece lengthwise to six 1" x 1-3/4" x 18"
- (4) Five Bottom Shelf Planks at 1" x 4" x 28" *

- (5) Five Cooler Shelf Planks at 1" x 4" x 16-1/2" *
- (6) Twenty Siding Panels at 1" x 4" x 14-1/4" *
- (7) Two Long Top Trim Boards at 1" x 4" x 26-1/2" *
- (8) Two Short Top Trim Boards at 1" x 4" x 23-1/2" *
- (9) Two Long Lid Frame Boards at 1" x 4" x 28"
- (10) Two Short Lid Frame Boards at 1" x 4" x 16-1/2"
- (11) Two Narrow Lid Planks at 1" x 4" x 16-1/2" *
 Then rip each piece lengthwise to one 1" x 2-3/4" x 16-1/2"
- (12) Six Wide Lid Planks at 1" x 4" x 16-1/2" *
- (13) One Towel Rack at 1" x 4" x 21" *
 Then rip lengthwise to two 1" x 1-3/4" x 21"

General Assembly Advice

- Periodically use a carpenter's level and square to insure the integrity of the final assembled project.
- Establish a screw pattern to enhance the overall look and feel of this final assembled project.
- Apply exterior wood glue to joining-material surfaces before attaching the pieces together with screws.
- Pre-drill all screw holes to ease the insertion of screws into the wood and prevent splitting.
- Countersink all screws so the head of a countersunk screw, when screwed into the hole, will sit flush with or below the surface of the surrounding material.

Finishing Advice

After this project has been assembled, consider sanding and preserving it with either exterior paint or stain.

- Use a putty knife and apply exterior wood putty to all countersunk holes.
- When putty has dried, use coarse, medium and fine grit sandpaper to smooth and deburr all surfaces.
- Wipe all surfaces clean of dust and particles.
- Apply a quality exterior stain and sealer or primer and paint.
- Double-coat all exposed end grain and triple-coat the bottoms of legs and/or posts.

Assembly Instructions

Assemble Legs

See Fig. 1 on page 3.

Attach two 2" x 4" x 31-1/4" legs together using four 2-1/2" #8 galvanized all-purpose screws. Make sure the outside edges of the joining surfaces are flush with each other.

- **Tip:** Where the screw holes are very close to the ends of the parts—about 3/4" in this step—drill countersunk pilot holes to prevent splitting when driving the screws. When drilling the pilot holes, only drill through the face of the overlapping part and not into the end of the mating one. The screws will drive easily into the end grain without a pilot hole and will hold more securely.

Attach Side Aprons

See Side Elevation on page 2 and Fig. 2 on page 3.

Attach three 1" x 1-3/4" x 18" side aprons to the inside of a pair of assembled legs using two 1-1/4" #8 galvanized all-purpose screws for each joint.

Make sure to follow the leg assembly configuration exactly as shown. Make sure the top edges of the top apron and the legs are flush with each other.

Make sure the bottom edge of the middle apron is 17" up from the bottom of the legs and the bottom edge of the bottom apron is 3-1/2" up from the bottom of the legs.

Use a carpenter's square to make sure the final assembly is square and adjust if needed.

Repeat the above process and attach the three remaining side aprons to the two remaining leg assemblies.

Attach Front and Back Aprons

See Front Elevation on page 2 and Fig. 3 on page 3.

Attach three 1" x 1-3/4" x 26-1/2" front aprons to the inside of a pair of assembled legs using two 1-1/4" #8 galvanized all-purpose screws for each joint.

Make sure the top edges of the front aprons are flush with top edges of the side aprons.

Use a carpenter's square to make sure the final assembly is square and adjust if needed.

Repeat the above process and attach the back aprons.

Attach Bottom Shelf Planks

See Side Elevation on page 2 and Fig. 4 on page 3.

Place five 1" x 4" x 28" bottom shelf planks on top of the bottom aprons and space approximately 1/8" apart.

Make sure the outside edges of the planks and aprons are flush with each other and attach the planks to the aprons using two 1-1/4" #8 galvanized all-purpose screws for each joint.

Attach Cooler Shelf Planks

See Fig. 5 on page 4.

Place two 1" x 4" x 16-1/2" cooler shelf planks on top of the middle set of aprons. Make sure the outside edges of the planks butt with the inside of the leg assemblies and are flush with outside edges of the aprons.

Attach the planks to the aprons using two 1-1/4" #8 galvanized all-purpose screws for each joint.

Place and attach the three remaining shelf planks to the aprons using two 1-1/4" #8 galvanized all-purpose screws for each joint.

Attach Siding Panels

See Fig. 6 on page 4.

Attach twenty 1" x 4" x 14-1/2" siding panels to the outside of the top and middle aprons using two 1-1/4" #8 galvanized all-purpose screws for each joint.

Make sure the top and bottom edges of the panels and aprons are flush with each other.

Attach Top Trim Boards

See Fig. 7 on page 4.

Attach two 1" x 4" x 26-1/2" long and two 1" x 4" x 23-1/2" short top trim boards to the top surface of the assembled cooler stand using four to five 1-1/4" #8 galvanized all-purpose screws for each joint.

Make sure the inside edges of the top trim boards and the top aprons are flush with each other.

Assemble Lid Frame Boards

See Fig. 8 on page 4.

Attach two 1" x 4" x 28" long and two 1" x 4" x 16-1/2" short lid frame boards using two 1-1/4" #8 galvanized all-purpose screws for each joint.

Make sure to follow the lid assembly configuration exactly as shown. Make sure the outside edges of the frame are flush with each other. Use a carpenter's square to make sure the final assembly is square and adjust if needed.

Attach Lid Planks

See Fig. 9 on page 4.

Attach two 1" x 2-3/4" x 16-1/2" narrow and six 1" x 4" x 16-1/2" wide lid planks to the inside of the lid frame assembly using two 1-1/4" #8 galvanized all-purpose screws for each joint.

Make sure to follow the lid assembly configuration exactly as shown and the two narrow planks are placed on the opposite ends for a more balanced appearance.

Make sure the top surfaces of the planks and frame are flush with each other.

Attach Pull Handle

See Fig. 10 on page 4.

Place, center align and attach one 5" pull handle to the outside surface of the assembled lid using its supplied screws.

Attach Lid to Stand

See Top View and Front and Side Elevations on page 2 and Fig. 11 on page 5.

Place, center align and attach the assembled lid to the top trim of the stand using one 24" continuous hinge and its supplied screws. Make sure the hinge is center aligned with the lid frame and the assembled lid uniformly overlaps the top opening of the cooler stand.

- **Tip:** Recess the hinge into its joining surfaces to insure a flush fit between the bottom of the lid frame and the top trim boards.

Attach Towel Racks

See Fig. 12 on page 5.

Attach one 1" x 1-3/4" x 21" towel rack to the outside of the assembled stand using two 1-1/4" #8 galvanized all-purpose screws for each joint.

Make sure the outside edges of the towel rack and the legs are flush with each other.

Repeat the above process and attach the remaining 1" x 1-3/4" x 21" towel rack to the opposite side of the assembled stand.

- **Tip:** Make sure the space between the top of the towel racks and the bottom of the top trim of the cooler stand allow for a hand towel to be easily inserted and removed from the rack.

Attach Bottle Opener and Cap Catcher

See Fig. 13 on page 5.

Attach one surface-mount bottle opener and one cap catcher to the front side of one of the assembled cooler stand's legs using its supplied screws.

Insert Cooler

See Fig. 14 on page 5.

Insert one 48-quart cooler into the stand, fill partially with ice, add your favorite beverage, and enjoy your finished project with family and friends!

Clean, odorless, nonstaining and nonirritating, ProWood MCA (micronized copper azole) treated lumber is safe for humans, animals and the environment. The process we use to treat has gained Environmentally Preferable Product (EPP) status as certified by Scientific Certification Systems (SCS), a third-party certification services and standards development company. The preservative in ProWood MCA treated lumber has earned NAHB's Green Approved Product Certification and the GREENGUARD Children & Schools Certification.

This document is for illustration purposes only. Use of this product must be in accordance with all local zoning and/or building codes. Consumer assumes all risks and liability associated with the use of this product. For details on safe handling, go to UFPI.com/ptinfo. Warrantor does not provide any warranty, either express or implied, and shall not be liable for any damages, including consequential damages. 7094 07/17

