

PATIO BENCH & END TABLE

PURCHASED MATERIALS:

One 24" x 72" x 16" Patio Bench:

- (1) 4" x 4" x 8' ProWood® pressure-treated post
- (2) 2" x 6" x 10' ProWood® pressure-treated boards
- (4) 5/4" x 6" x 6' ProWood® pressure-treated boards
- (1) Box of 3" #8 galvanized all-purpose screws
- (1) Box of 1-5/8" #8 galvanized all-purpose screws
- Exterior wood glue

One 24" x 24" x 19" End Table:

- (1) 4" x 4" x 8' ProWood® pressure-treated post
- (2) 2" x 6" x 8' ProWood® pressure-treated boards
- (4) 5/4" x 6" x 8' ProWood® pressure-treated boards
- (1) Box of 3" #8 galvanized all-purpose screws
- (1) Box of 1-5/8" #8 galvanized all-purpose screws
- Exterior wood glue

BASIC TOOLS:

- Carpenter's square
- Power drill and 1/8" drill bit
- Countersink bit
- Circular or table saw
- Screwdriver
- Tape measure

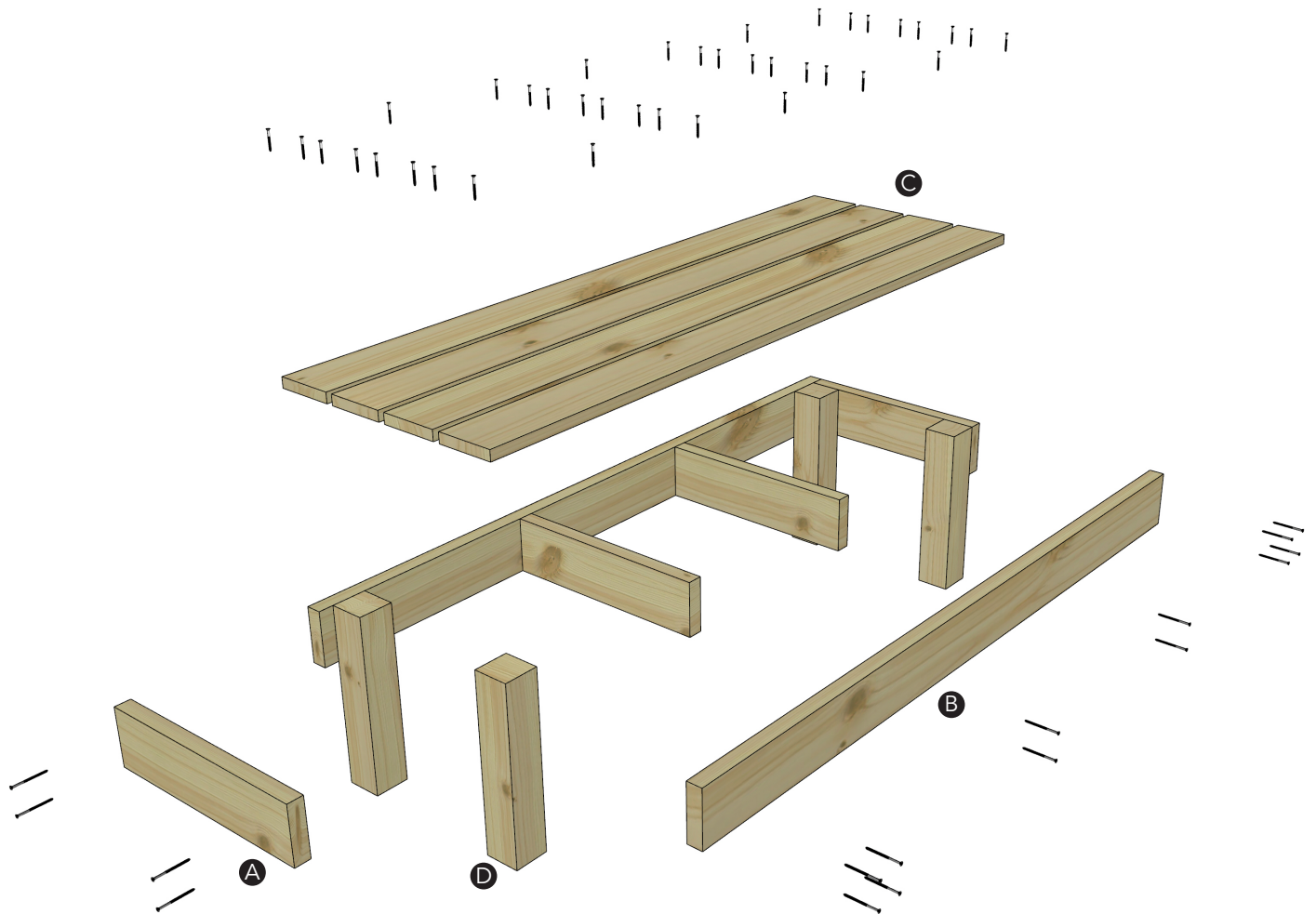


GENERAL ASSEMBLY TIPS

- Always wear gloves, a dust mask and eye protection when sawing, sanding or machining wood. Always use a circular, miter saw or table saw on a clean, flat and level surface.
- Establish a screw pattern to enhance the overall look and feel of the final assembled product.
- Pre-drill all screw holes with a drill bit to ease screw insertion and prevent wood splitting.
- Countersink all screws so the head of a countersunk screw, when placed in the hole, will sit flush with the surface of the surrounding material.

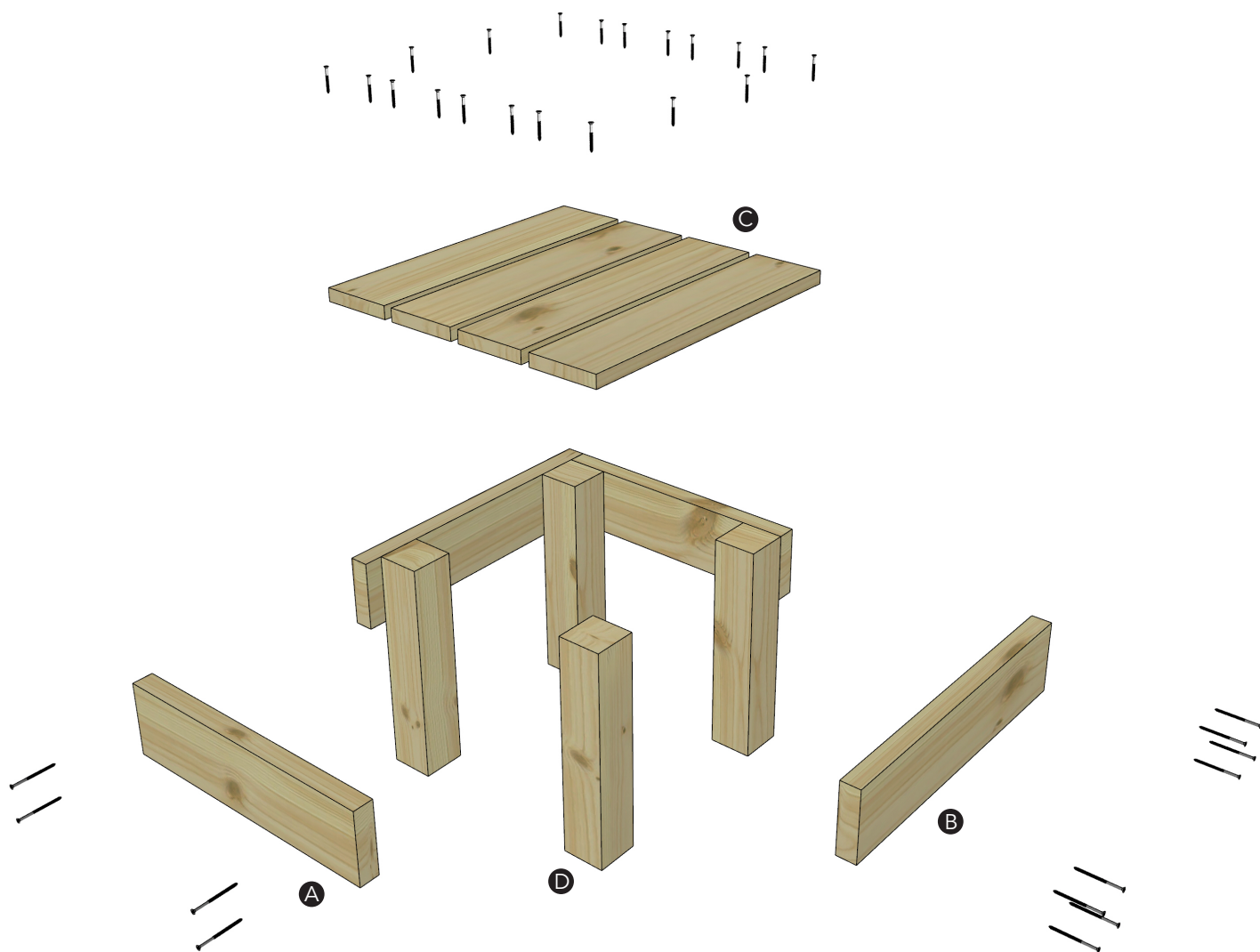
PATIO BENCH

ITEM NO.	NAME	QTY.	DESCRIPTION
A	End / Seat Supports	4	1-1/2" x 5-1/2" x 21"
B	Side boards	2	1-1/2" x 5-1/2" x 72"
C	Top boards	4	5/4" x 5-1/2" x 72"
D	Legs boards	4	3-1/2" x 3-1/2" x 18"



END TABLE

ITEM NO.	NAME	QTY.	DESCRIPTION
A	End boards	2	1-1/2" x 5-1/2" x 21"
B	Side boards	2	1-1/2" x 5-1/2" x 24"
C	Top boards	4	5/4" x 5-1/2" x 24"
D	Legs boards	4	3-1/2" x 3-1/2" x 18"

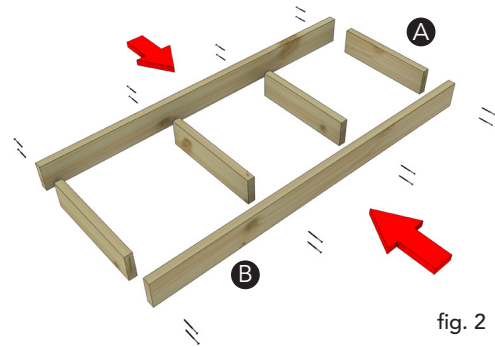


PATIO BENCH

STEP 1: ATTACH THE FRAME

See fig. 2

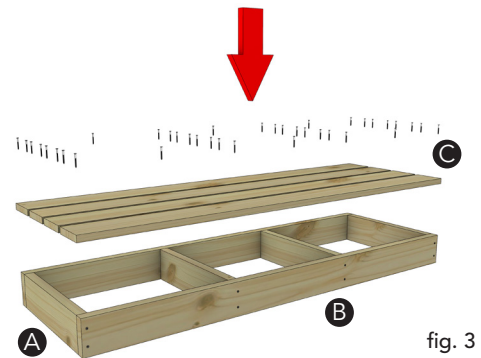
- Align two ends (A) and two sides (B) to form a rectangular frame. Make sure corners are flush and square.
- Attach the ends to the sides using 3" #8 galvanized all-purpose screws and wood glue.
- Next, measure and mark 24 inches from one end of the board to the center. Repeat starting from other end.
- Center align the supports (A) with the measured marks as shown. Make sure it's flush and square with the top edges of the two side boards (B).
- Attach the supports using 3" #8 galvanized all-purpose



STEP 2: ATTACH SEAT

See fig. 3

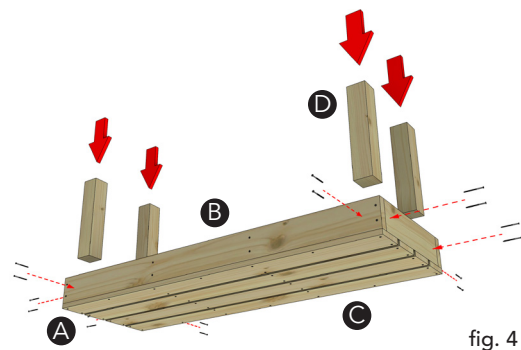
- Align top boards (C) on top of the frame.
- Attach the top (C) to the end and side boards (A/B) using 1-5/8" #8 galvanized all-purpose screws and wood glue.



STEP 3: ATTACH LEGS

See fig. 4

- Turn the top over and align each leg (D) with the inner corner edges
- Attach the legs to the ends and sides (A/B) using 3" #8 galvanized all-purpose screws and wood glue. It's recommended to put two screws in each side.



STEP 4: [OPTIONAL]

See fig. 5

- Apply a water-resistant sealer/stain to protect boards from natural use.
- Make sure boards are dry before applying the sealer/stain.
- Apply 2-3 thin coats of sealer/stain with a brush and give it time to dry between layers.



END TABLE

STEP 1: ATTACH THE FRAME

See fig. 6

- Align two ends (A) and two sides (B) to form the square frame. Make sure corners are flush and square.
- Attach the ends to the sides using 3" #8 galvanized all-purpose screws and wood glue.

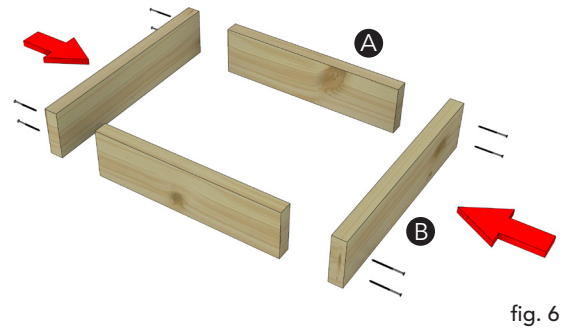


fig. 6

STEP 2: ATTACH TABLETOP

See fig. 7

- Align top boards (C) on top of the frame.
- Attach the top to the ends/side (A/B) using 1-5/8" #8 galvanized all-purpose screws and wood glue.

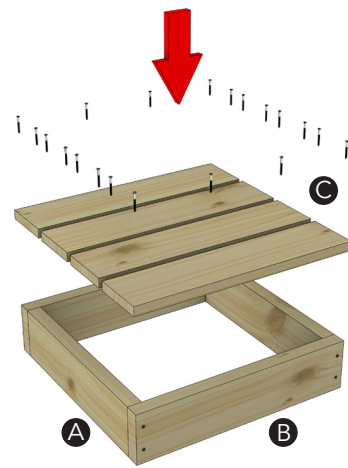


fig. 7

STEP 3: ATTACH LEGS

See fig. 8

- Turn the top (C) and align each leg with the inner corner edges.
- Attach the legs (D) to the ends/sides (A/B) using 3" #8 galvanized all-purpose screws and wood glue. It's recommended to put two screws in each side.

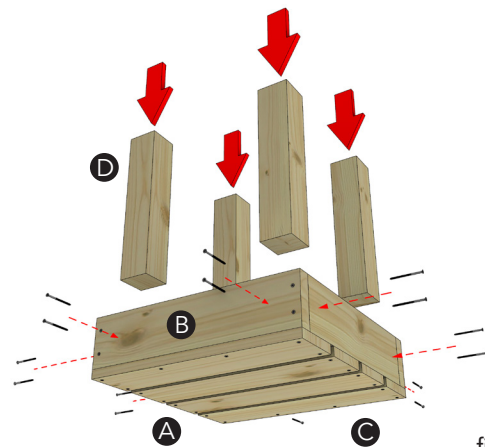


fig. 8

STEP 4: (OPTIONAL)

See fig. 9

- Apply a water-resistant sealer/stain to protect boards from natural use.
- Make sure boards are dry before applying the sealer/stain.
- Apply 2-3 thin coats of sealer/stain with a brush and give it time to dry between layers.

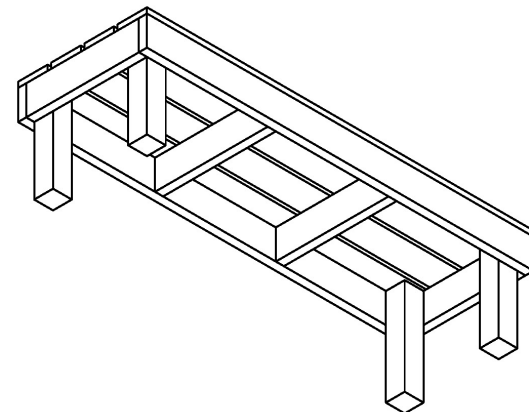
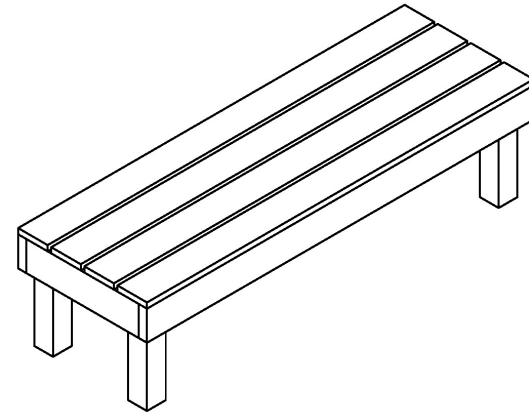
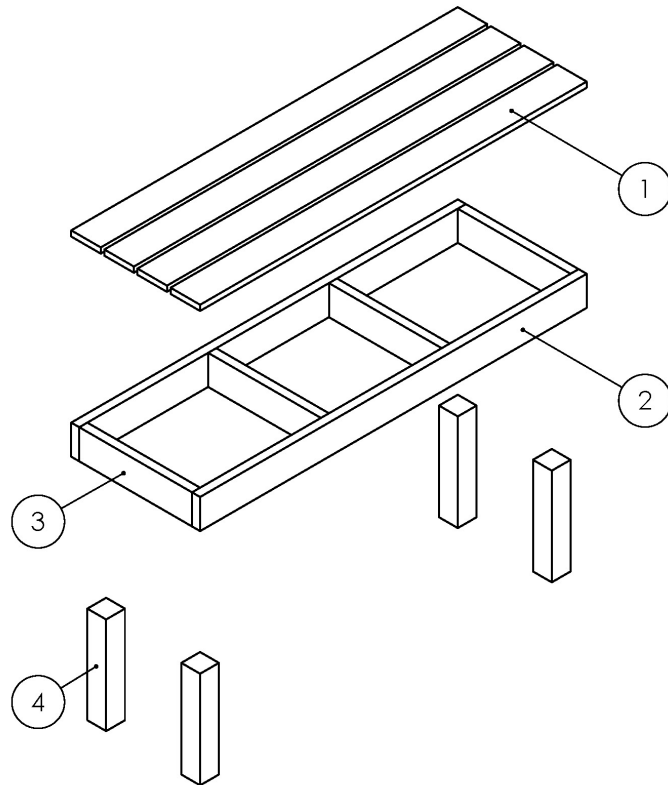


fig. 9

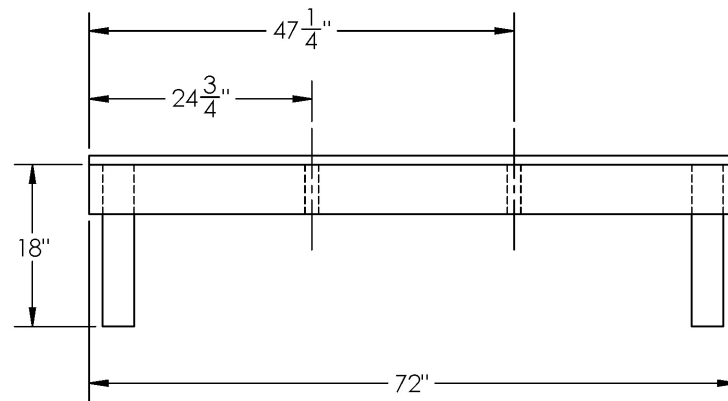
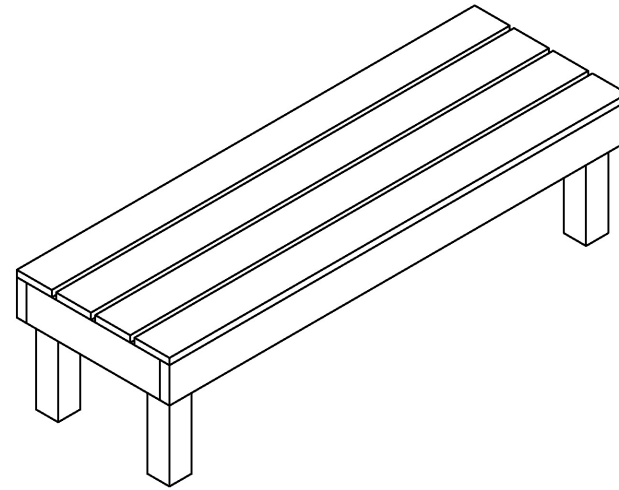
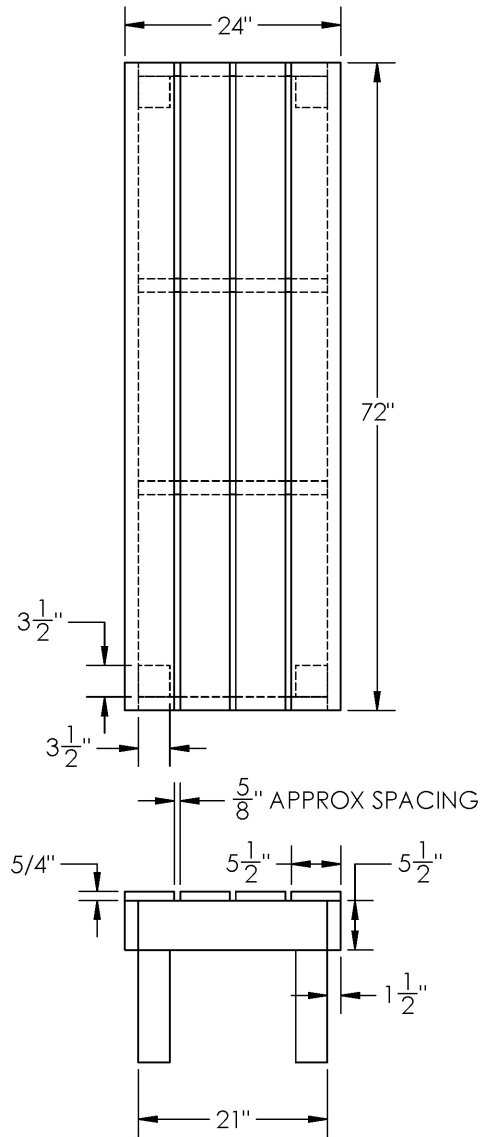
THE BLUEPRINTS

PATIO BENCH

CUT LIST				
ITEM NO.	NAME	QTY.	DESCRIPTION	MATERIAL
1	TOP	4	5/4" X 5 1/2" X 72"	PT WOOD
2	SIDES	2	1 1/2" X 5 1/2" X 72"	PT WOOD
3	ENDS & SEAT SUPPORTS	4	1 1/2" X 5 1/2" X 21"	PT WOOD
4	LEGS	4	3 1/2" X 3 1/2" X 18"	PT WOOD

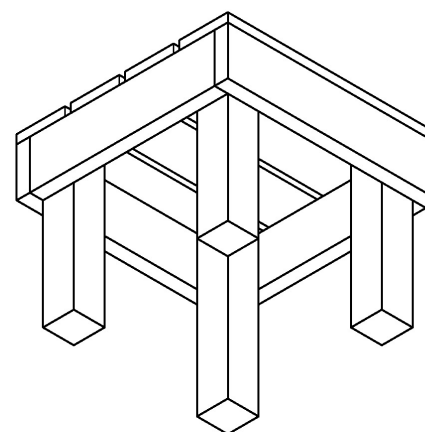
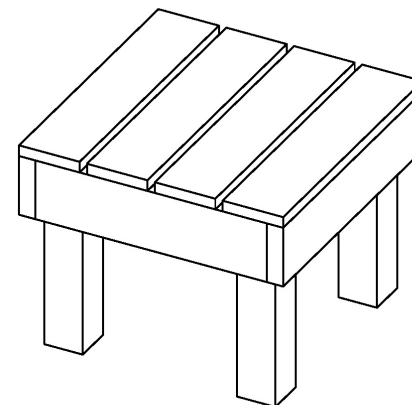
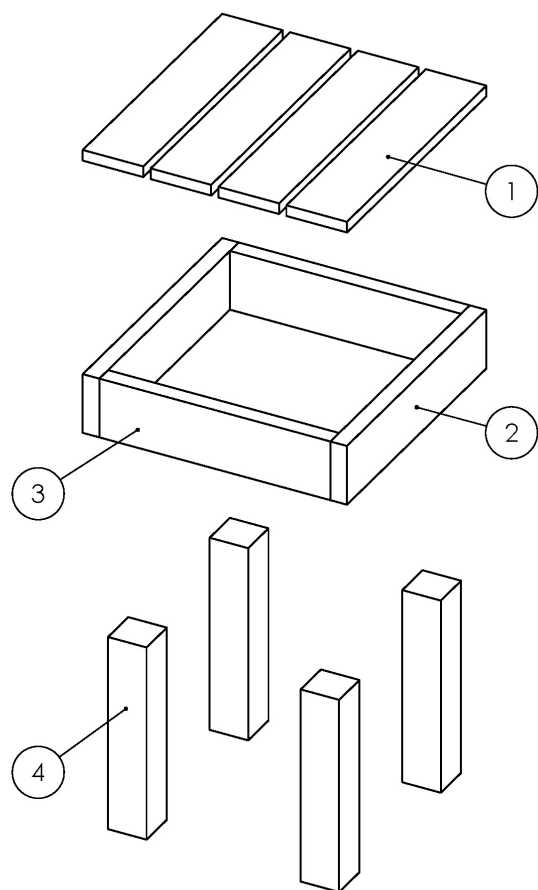


PATIO BENCH CONT.



END TABLE

CUT LIST				
ITEM NO.	NAME	QTY.	DESCRIPTION	MATERIAL
1	TOP	4	5/4" X 5 1/2" X 24"	PT WOOD
2	SIDES	2	1 1/2" X 5 1/2" X 24"	PT WOOD
3	ENDS	2	1 1/2" X 5 1/2" X 21"	PT WOOD
4	LEGS	4	3 1/2" X 3 1/2" X 18"	PT WOOD



END TABLE CONT.

