



ProWood® Project Plan

PLANTER BOX

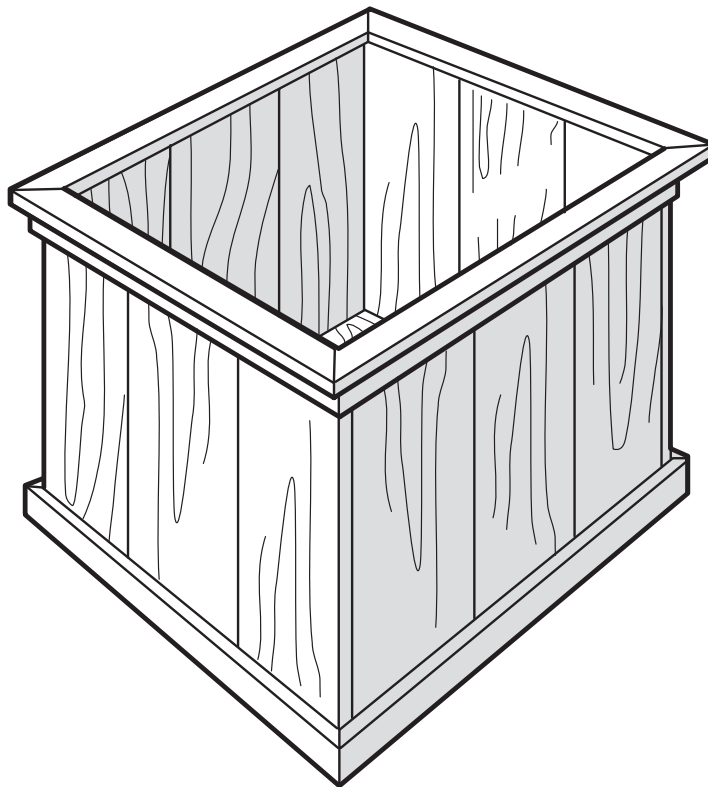
With ProWood® Professional Grade pressure-treated lumber, create a movable planter box that will enhance your patio or deck and decorate your yard.

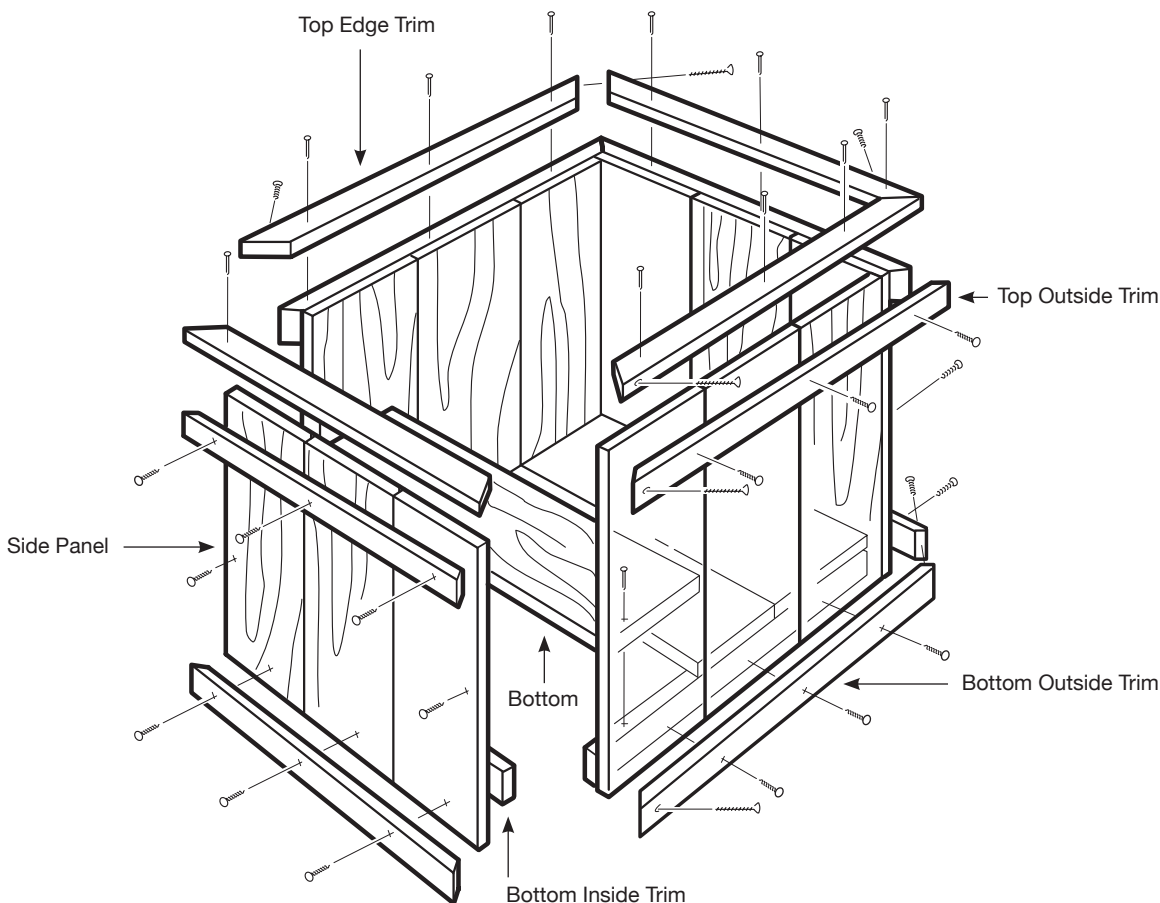
Materials

- One 1" x 6" x 8' ProWood® Pressure-Treated Lumber
- One 1" x 6" x 10' ProWood® Pressure-Treated Lumber
- Four 1" x 2" x 8' ProWood® Pressure-Treated Trim Boards
- One Box 1-1/2" 4d Galvanized Nails
- One Box 2" #6 Galvanized All-Purpose Screws

Basic Tools

- Miter Box or Angle Square for Angle Cuts
- Circular Power Saw
- Drill and Drill Bit
- Tape Measure
- Hammer
- Screwdriver





Cut the Lumber to Size

Caution: Always wear gloves, a dust mask and eye protection when sawing, sanding or machining wood.

Planter Box

Using a circular saw, cut the boards for the planter box.

- Start by cutting the 1" x 6" x 10' ProWood® board into ten 12" side panels.
- Next, cut the 1" x 6" x 8' ProWood® board into two more 12" side pieces and three 15-1/2" pieces for the bottom of the planter box.

The planter box will have a slightly rectangular shape with two 20" long sides and two 18-1/2" long sides.

Each side of the box will have two 1" x 2" trim pieces on the top edge, one trim piece on the bottom outside edge, and one trim piece on the bottom inside edge. Refer to the illustration above for a look at these trim pieces.

- Cut two of the 1" x 2" x 8' trim boards each into three 20" pieces and one 16-1/2" piece. These will form the top and bottom trim for the 20" sides of the planter box.
- Next, cut the other two 1" x 2" x 8' trim boards each into three 18-1/2" pieces and one 13-1/2" piece. These will form all of the trim for the 18-1/2" sides of the planter box.

Build the Box Side Panels

- Use the bottom inside trim as a cleat to hold the 1" x 6" boards together as you assemble the side panels of the planter box.
- Remember to always attach the trim so that it is flush with the bottom of each side piece and centered along the width of the panel's boards.
- Keep in mind which side of the wood will face outward. You want to keep its "best" side visible.

The First Two Side Panels

- Take one of the 16-1/2" inside bottom trim pieces and attach it to the bottom of three 1" x 6" side pieces with 1-1/2" 4d galvanized finish nails. The side pieces should be held together to form a solid panel with the 16-1/2" inside bottom trim centered along their bottom edge.
- Repeat this process with the other 16-1/2" bottom inside trim piece and another side panel.

The Second Two Side Panels

- Take one of the 13-1/2" inside bottom trim pieces and attach it to the bottom of three 1" x 6" side pieces with 1-1/2" 4d galvanized finish nails. The side pieces should be held together to form a solid panel with the 13-1/2" inside bottom trim centered along their bottom edge.
- Repeat this process with the other 13-1/2" bottom inside trim piece and three remaining side panels.

Make the Bottom of the Box

- Place the three 1" x 6" x 15-1/2" pieces together side-by-side to form the bottom of the planter box.
- Cleat the pieces together with a scrap piece of trim.

Put the Sides on the Box

- Place the two side panels with the 16-1/2" long inside trim pieces next to the bottom panel of the planter box by sliding their inside bottom trim under the bottom panel. The sides and the bottom will form a 90-degree angle.
- Center the side panels on the bottom panel with the cut ends of the bottom panels boards touching the side panels.
- Set a nail through the planter bottom into the bottom trim on each side panel.
- Place the side panels with the 13-1/2" trim in place as the other two sides of the planter box. (The side panels with the 13-1/2" trim should touch the uncut side of the bottom panel's boards.)
- Set these side panels in place with 1-1/2" 4d galvanized finish nails. The box sides and bottom are now in place.
- Attach all four sides to the bottom panel by nailing galvanized nails through the bottom panel into the inside bottom trim and driving screws through the side panels into the edge of the bottom panel.

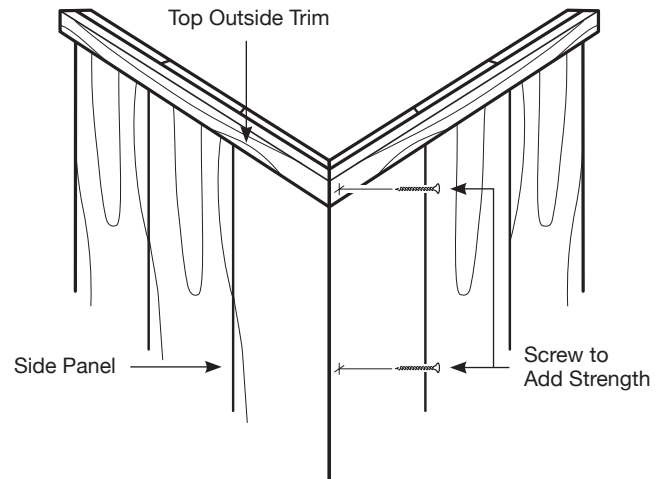
Refer to the illustration on the previous page.

Cut the Trim Angles

- All angles for the outside trim (both top and bottom) are 45-degree angles. Each joint is then 90-degrees. Use a miter box or an angle square to mark and cut 45-degree angles for each of the trim joints.
- For the trim on the outside face of the planter box (both top and bottom), the angles will cut through the 1" side of the trim piece.
- For the trim on the top edge (or rim) of the planter box, the angles will cut through the 2" side of the board.
- When both ends of a trim piece require angle cuts, make sure the angles are not parallel. Experiment by cutting angles in scrap wood first to help get the angles perfect.

Add the Trim

- Cut a 45-degree angle through the 1" side in both ends of four 20" trim pieces and four 18-1/2" trim pieces. Be careful not to shorten the longest edge of the trim piece when cutting these angles.
- Match the trim lengths with the side panels so that each corner will form a 90-degree joint between trim pieces.
- Once you've matched the trim pieces, attach the bottom outside trim to the planter box flush to its bottom using 1-1/2" 4d galvanized finish nails.
- Follow the bottom trim steps above to add the top outside trim to the planter box.



Strengthen the Joints

- Pre-drilling the holes will prevent splitting the trim pieces. One screw per joint will add sufficient strength. *Refer to the illustration above for a look at how to strengthen the joints.*
- After installing the top and bottom outside trim, fasten the pieces of trim together to strengthen each joint in the planter box. Sink 2" #6 galvanized all-purpose screws from the side of each joint running parallel with the trim piece furthest from the screw head.

Attach the Top Edge Trim

- You should have two 1" x 2" x 20" and two 1" x 2" x 18-1/2" trim pieces left for the top edge trim. This trim covers the top edge of the side panels and the top of the trim that was just attached.
- Each of the joints for this trim is also 45-degrees, but you will have to cut the angles differently. They must be cut through the 2" side of the piece so they curve to the side as the top ridge of the planter box curves.
- Keeping in mind the difference in the way the angle is cut, you can follow the instructions for top and bottom outside trim given above to attach the top edge trim.

Refer to the illustration on the previous page.

