



ProWood® Project Plan

ADIRONDACK OTTOMAN

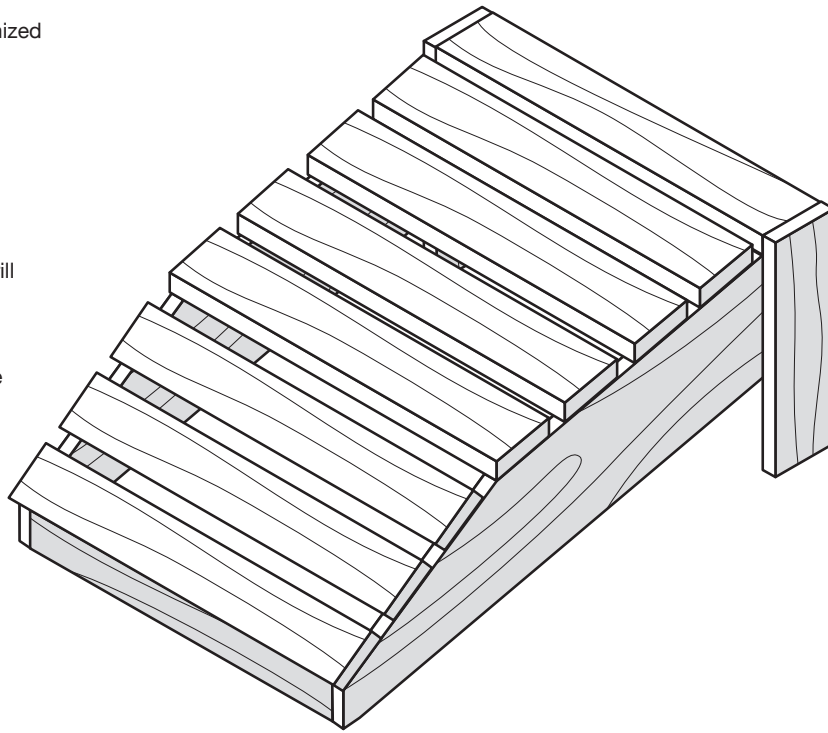
With ProWood® Professional Grade pressure-treated lumber, you can easily build a simple yet comfortable outdoor ottoman to complement your Adirondack chair. (See ProWood® Project Plan: Adirondack Chair.)

Materials

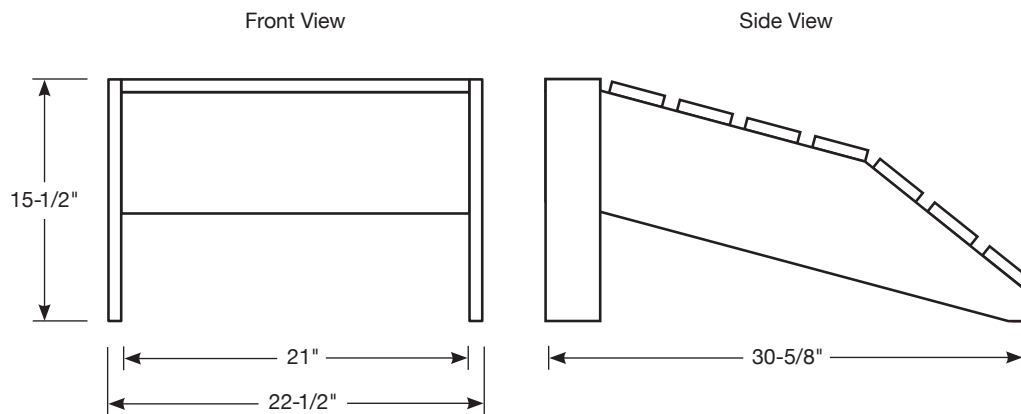
- One 1" x 8" x 8' ProWood® pressure-treated lumber
- Three 1" x 4" x 8' ProWood® pressure-treated lumber
- One Box of 1-1/4" #6 galvanized all-purpose screws
- One Box of 2" #6 galvanized all-purpose screws
- Wood glue

Basic Tools

- Circular or table saw
- Drill and drill bit
- Countersink bit
- Screwdriver or power drill with screwdriver bit
- Tape measure
- Carpenters square
- Adjustable triangle scale



If your wood project touches the ground, use pressure-treated lumber that is rated for ground contact to ensure long-term performance.



Step 1: Cut the Lumber to Size

Caution: Always wear gloves, a dust mask and eye protection when sawing, sanding or machining wood.

Using a circular or table saw on a clean, flat, level surface, cut the following ProWood® pressure-treated boards for the components of the Adirondack ottoman.

- Stringers: Two $1" \times 8" \times 32\text{-}3/4"$
- Front apron: One $1" \times 8" \times 21"$
- Back apron: One $1" \times 2" \times 21"$ (rip one $1" \times 4"$)
- Foot slats: Eight $1" \times 4" \times 21"$
- Front legs: Two $1" \times 4" \times 20\text{-}3/4"$

General Assembly Advice

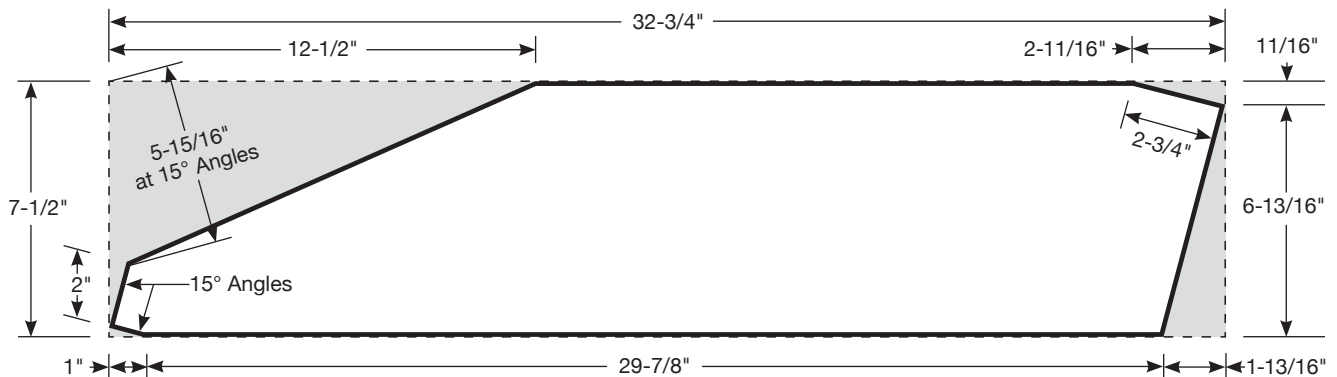
- Establish a screw pattern to enhance the overall look and feel of the final assembled product.
- Pre-drill all screw holes to ease insertion into the wood and to prevent splitting.
- Countersink all screws so the head of the screw, when placed in the hole, sits flush with—or below—the surface of the surrounding wood.

Step 2: Cut the Stringers

From the two $1" \times 8" \times 32\text{-}3/4"$ stringers noted in the cut list, cut the pieces exactly as shown below.

Tip: Create a pattern and then copy that pattern for both of the stringer sides before cutting.

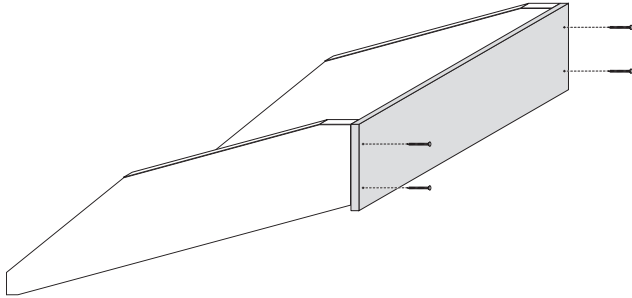
- Start by measuring and marking one stringer with a pencil.
- Double-check all measurements and angles before cutting so all cuts are precise and both stringers are cut the same.



Step 3: Attach the Front Apron

Attach the front apron to the stringers using 2" #6 galvanized all-purpose screws and wood glue. *Refer to the illustration below.*

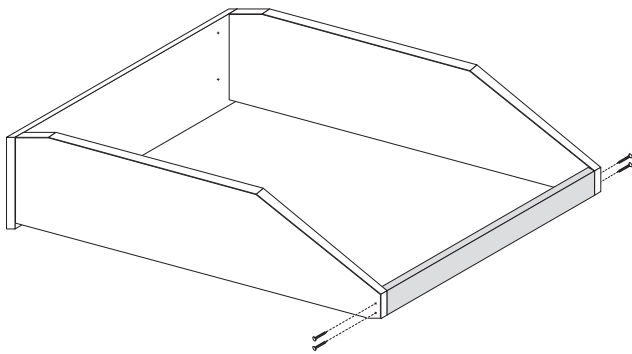
- Make sure the front apron is flush with the top and the sides of the stringers.
- The bottom of the front apron will be slightly longer than the bottom of the stringers.
- Apply wood glue to the front edge of each stringer.
- Screw through the face of the front apron into the front edge of each stringer.



Step 4: Attach the Back Apron

Attach the back apron to the stringers using 2" #6 galvanized all-purpose screws and wood glue. *Refer to the illustration below.*

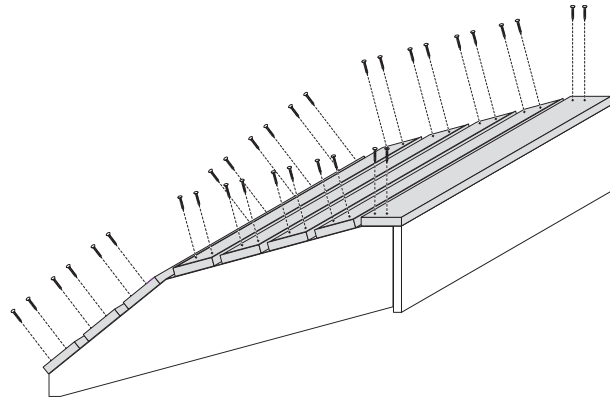
- Make sure the back apron is flush with the inside bottom and outer edge of each stringer.
- Apply wood glue to the inside edge of each stringer.
- Screw through the outside face of each stringer and into the back apron.



Step 5: Attach the Foot Slats

Attach the foot slats to the stringers using 1-1/4" #6 galvanized all-purpose screws and wood glue. *Refer to the illustration below.*

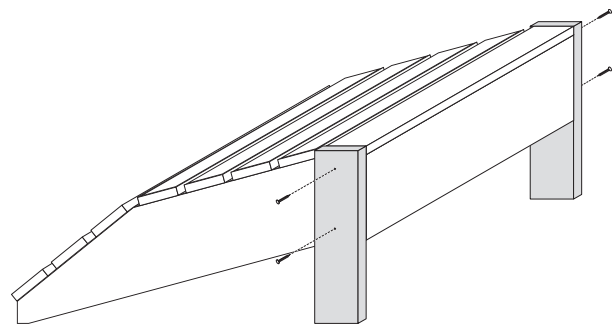
- Start with the first flat foot slat so it's flush with the stringers' outer sides and the face of the front apron.
- Apply wood glue to the top edge of the stringers and the front apron, directly below that first slat.
- Screw through the top of that slat.
- Following the first flat foot slat process, position, glue and attach the remaining four slats, one at a time.
- Leave a 1/2" gap between each slat.



Step 6: Attach the Legs

Attach the two legs to the stringers using 1-1/4" #6 galvanized all-purpose screws and wood glue. *Refer to the illustration below.*

- Apply wood glue to the stringer area and the side edge of the front apron where the legs will attach.
- Make sure the legs are flush with the top of the first foot slat and the front apron.
- Screw the legs into the stringers.



This document is for illustration purposes only. Use of this product must be in accordance with all local zoning and/or building codes. Consumer assumes all risks and liability associated with the use of this product. For details on safe handling, go to UFPI.com/ptinfo. Warrantor does not provide any warranty, either express or implied, and shall not be liable for any damages, including consequential damages. 7094 03/15