

DECK AND PATIO END TABLE

With ProWood® Professional Grade pressure-treated lumber, you can easily build several end tables for your deck, patio or yard. Although this project plan includes dimensions and instructions for building one table, it can be easily customized to suit your purpose and space by changing the measurements. Expand your outdoor living enjoyment by adding a complementary bench or two (see ProWood® Project Plan: Deck and Patio Bench).

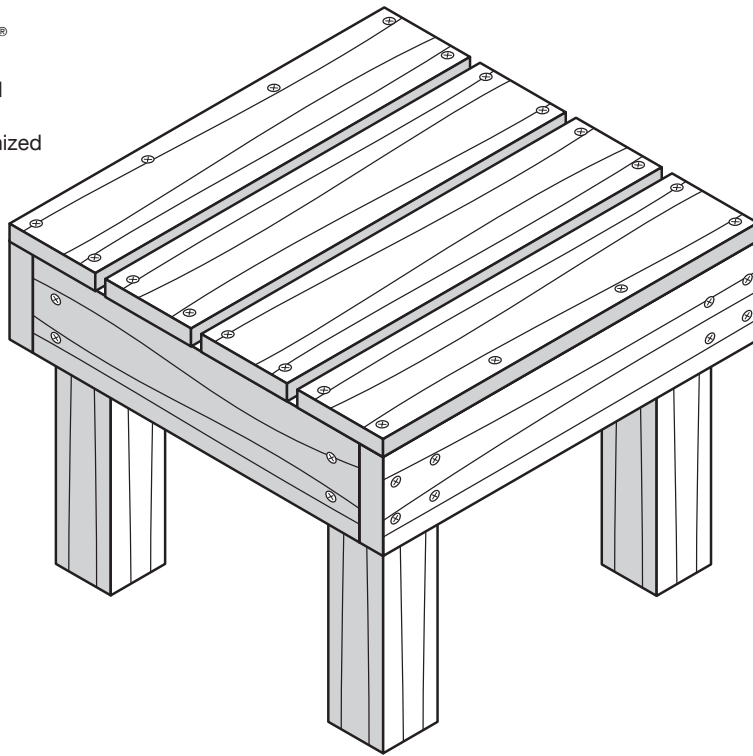
Materials

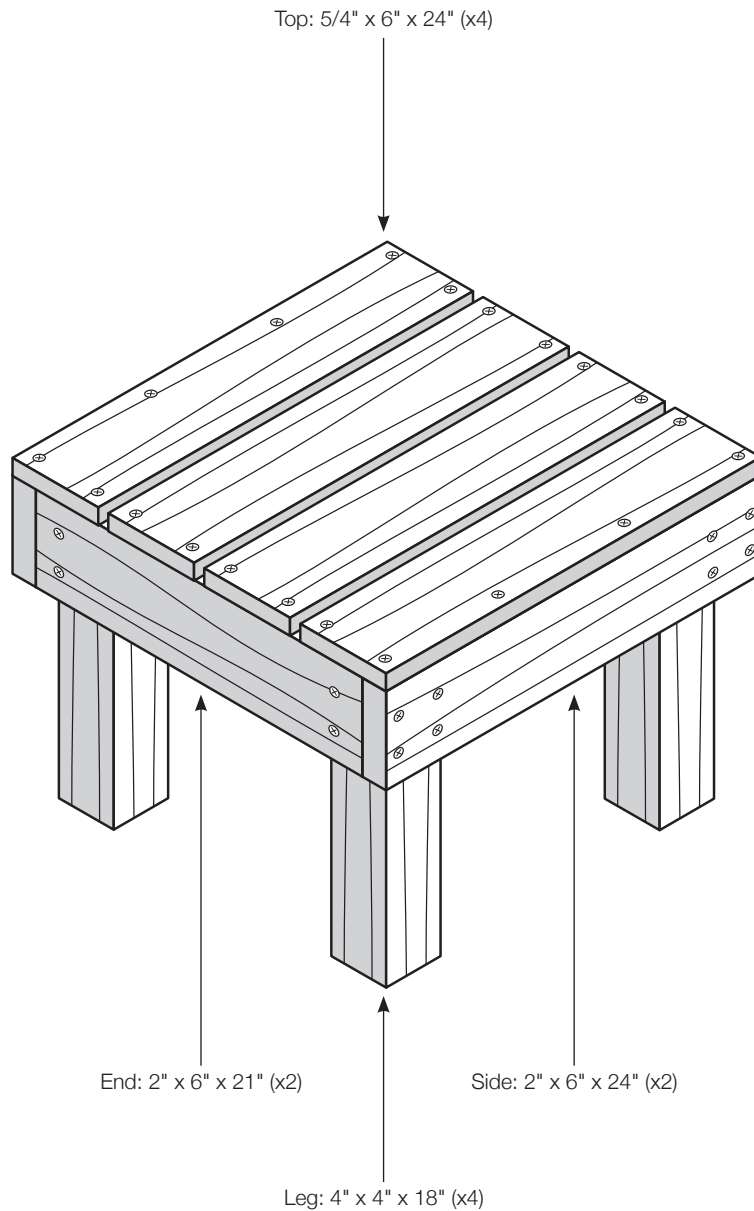
For one 24" x 24" x 19" end table:

- One 4" x 4" x 8' ProWood® pressure-treated post
- One 2" x 6" x 8' ProWood® pressure-treated board
- One 5/4" x 6" x 8' ProWood® pressure-treated board
- One box of 3" #8 galvanized all-purpose screws
- One box of 1-5/8" #8 galvanized all-purpose screws
- Exterior wood glue

Basic Tools

- Circular or table saw
- Drill and 1/8" drill bit
- Countersink bit
- Screwdriver (or power drill with screwdriving bit)
- Tape measure
- Carpenter's square





Cut Lumber to Size

Caution: Always wear gloves, a dust mask and eye protection when sawing, sanding or machining wood.

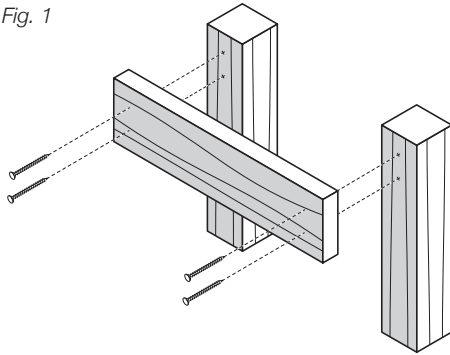
Using a circular or table saw on a clean, flat, level surface, cut the ProWood® pressure-treated wood for the components of the end table as follows:

- Sides: Two 2" x 6" x 24"
- Ends: Two 2" x 6" x 21"
- Top: Four 5/4" x 6" x 24"
- Legs: Four 4" x 4" x 18"

General Assembly Advice

- Establish a screw pattern to enhance the overall look and feel of the final assembled product.
- Pre-drill all screw holes to ease the insertion of the screws into the wood and prevent splitting.
- Countersink all screws so the head of a countersunk screw, when screwed into the hole, will sit flush with or below the surface of the surrounding material.

Fig. 1



Attach End Boards

Refer to Fig. 1 illustration on this page.

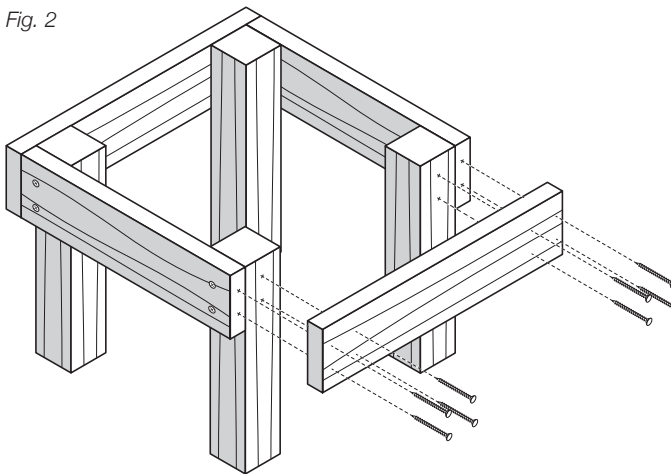
- Select one end board and two legs. Lay the board on top of the legs. Make sure the end board is flush and square with the top and outside edges of the two legs.
- Attach the board to the legs using 3" #8 galvanized all-purpose screws and wood glue.
- Repeat the above directions to build the second end.

Attach Side Boards

Refer to Fig. 2 illustration on this page.

- Select one side board. Align the board along the top edge of both assembled ends and make sure it is also flush and square with the outside edges of the two end boards.
- Attach the board to the two legs and exposed edges of the end boards using 3" #8 galvanized all-purpose screws and wood glue.
- Repeat the above directions to attach the second side.

Fig. 2

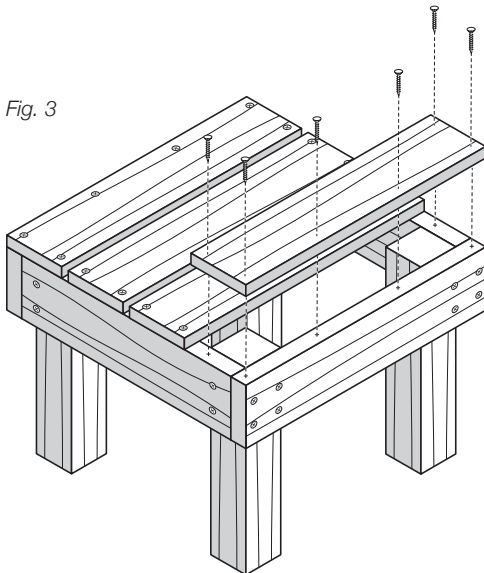


Attach Top Boards

Refer to Fig. 3 illustration on this page.

- Select one top board. Lay the board on top of the assembled base. Align and flush the board along an outer edge of the base.
- Attach the board to the base using 1-5/8" #8 galvanized all-purpose screws and wood glue.
- Repeat the above directions and attach another top board to the opposite outer edge of the base.
- Place the remaining two top boards on top of the base. Make sure the boards are flush with the outside of the base and spaced apart equally.
- Attach the boards to the top of the base using 1-5/8" #8 galvanized all-purpose screws and wood glue.

Fig. 3



Clean, odorless, nonstaining and nonirritating, ProWood MCA (micronized copper azole) treated lumber is safe for humans, animals and the environment. The process we use to treat has gained Environmentally Preferable Product (EPP) status as certified by Scientific Certification Systems (SCS), a third-party certification services and standards development company. The preservative in ProWood MCA treated lumber has earned NAHB's Green Approved Product Certification and the GREENGUARD Children & Schools Certification.



This document is for illustration purposes only. Use of this product must be in accordance with all local zoning and/or building codes. Consumer assumes all risks and liability associated with the use of this product. For details on safe handling, go to UFPI.com/ptinfo. Warrantor does not provide any warranty, either express or implied, and shall not be liable for any damages, including consequential damages. 7094 05/15