



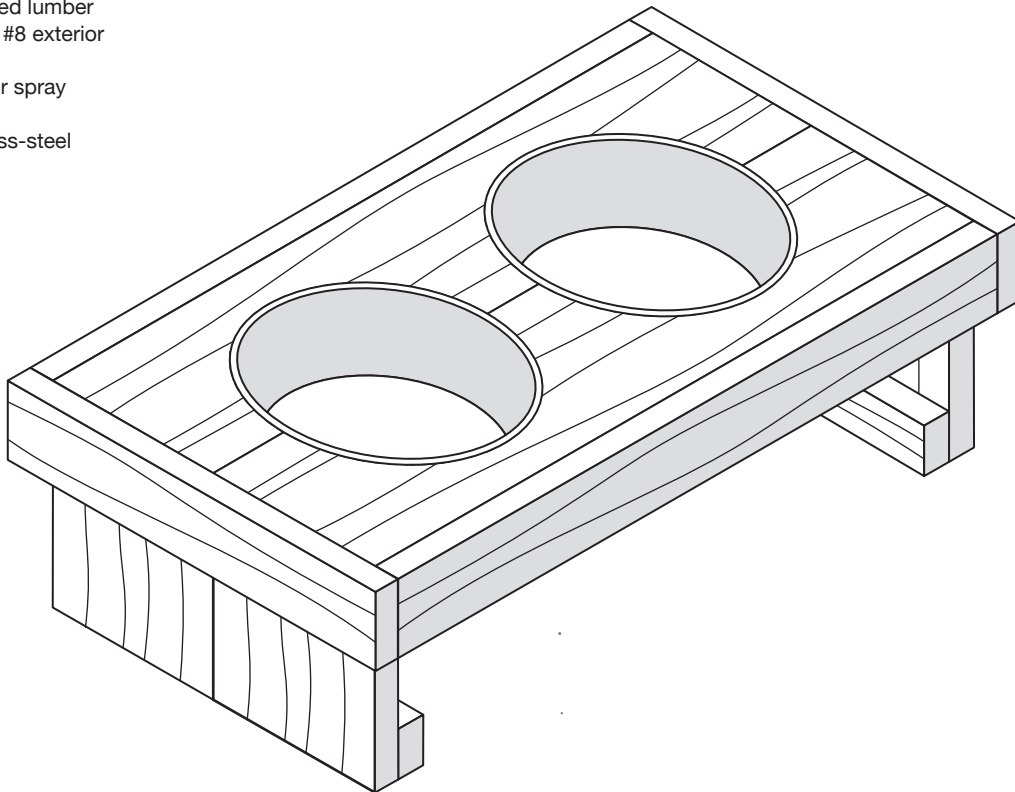
ProWood® Project Plan

DOUBLE DOG BOWL STAND

With ProWood® Professional Grade pressure-treated lumber, you can quickly build this durable and inexpensive double dog bowl stand that's perfect for your pet's outdoor use. Although this plan specifies 8" diameter stainless-steel dog bowls, it can be modified to fit any smaller-sized bowls.

Materials:

- Two 1" x 6" x 8' ProWood® pressure-treated lumber
- One box of 2" #8 exterior wood screws
- Indoor/outdoor spray spar urethane
- Two 8" stainless-steel dog bowls

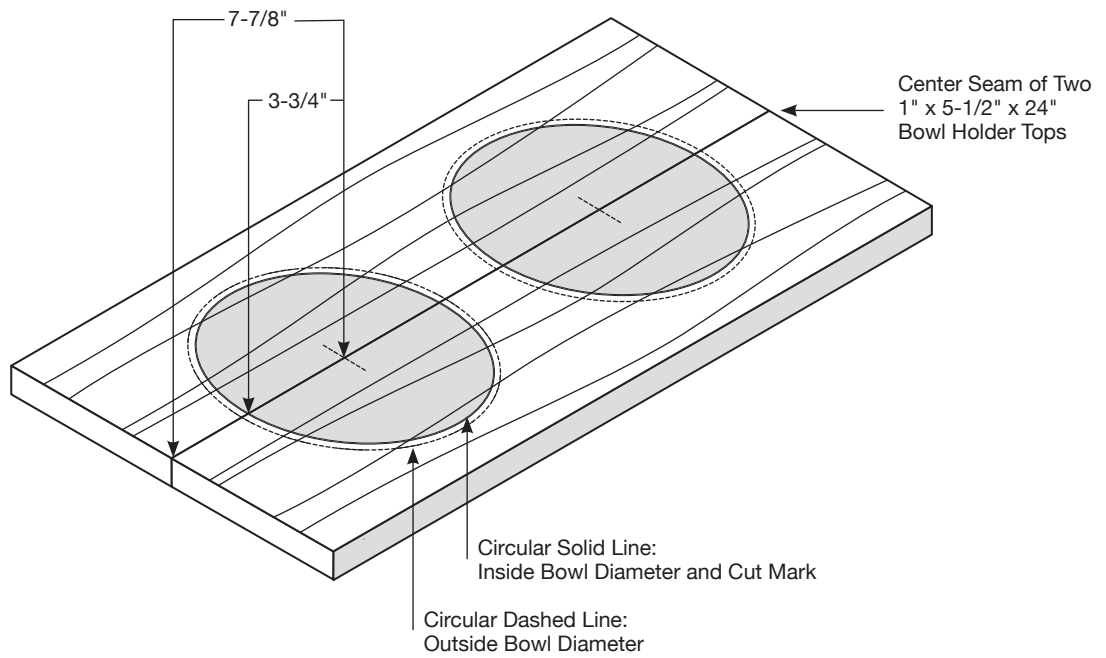
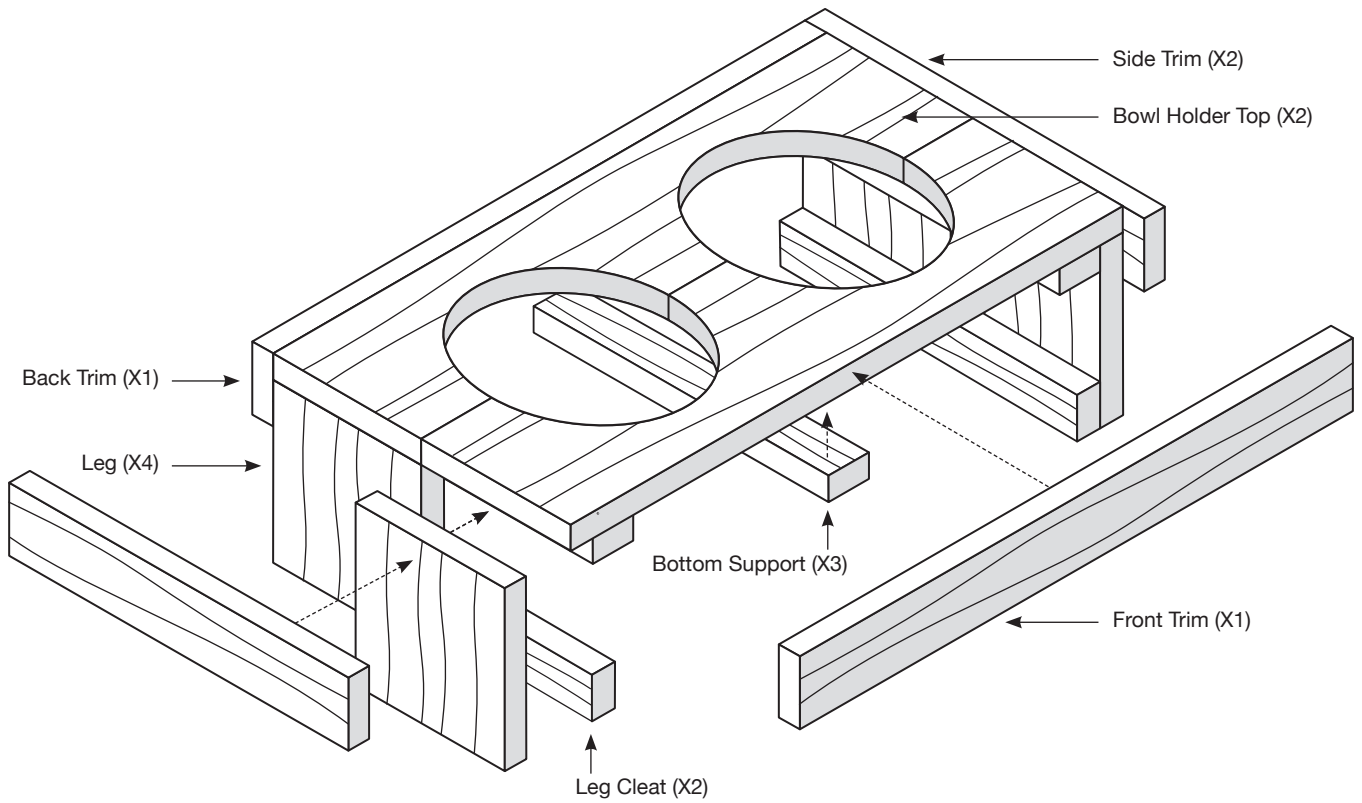


Basic Tools:

- Circular or table saw
- Jigsaw with 12-teeth-per-inch blade
- Miter saw or hand saw and miter box
- Power drill and 1/8" drill bit
- Screwdriver (or power drill with screwdriving bit)
- Tape measure
- Compass
- Carpenter's square
- Painter's or masking tape
- Clamps
- Random-orbit sander or sanding block with medium- and fine-grit sandpaper

prowood®
PROFESSIONAL GRADE™

If your wood project touches the ground, use pressure-treated lumber that is rated for ground contact to ensure long-term performance.



Cut the Wood to Size

Caution: Always wear gloves, a dust mask and eye protection when sawing, sanding or machining wood.

Using a circular or table saw and a clean, flat and level surface, cut the ProWood® pressure-treated lumber for the components of the double dog bowl holder. Refer to the illustration on top of page 2 to help identify the different materials and parts that are needed for this project.

Lumber

Cut the 1" x 6" x 8' ProWood® pressure-treated lumber to size.

- Bowl Holder Top: Two 1" x 5-1/2" x 24"
- Bottom Supports: Three 1" x 1-3/4" x 11"

Tip: For the bottom supports, first use a circular saw to cut the 1" x 6" to a length of 11". Then use a table saw to rip the 1" x 6" x 11" lumber lengthwise into thirds, resulting in three pieces of lumber 1-3/4" wide.

- Front and Back Trim: Two 1" x 2-3/4" x 24"
- Side Trim: Two 1" x 2-3/4" x 13"
- Legs: Four 1" x 5-1/2" x 7"
- Leg Cleats: Two 1" x 1-3/4" x 11"

General Assembly Advice

- Establish a screw pattern to enhance the overall look and feel of the final assembled product.
- Pre-drill all screw holes with a drill bit slightly smaller than the screw width to ease screw insertion into the material and to prevent wood splitting.
- Countersink all screws so the head of a countersunk screw, when placed in the hole, will sit flush with or below the surface of the surrounding material.

Make the Bowl Holder Top

Refer to the illustration on bottom of page 2 to see how to measure and mark the bowl holder top.

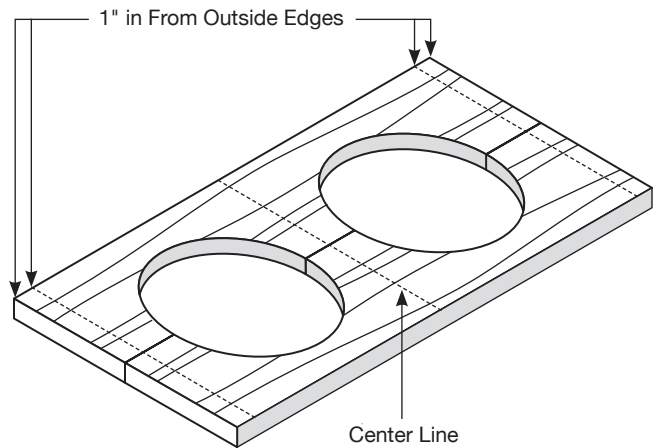
- Lay both 1" x 5-1/2" x 24" top pieces side-by-side on a flat surface. Determine which edges together produce the smallest gap at the seam, while also deciding which surfaces look best.
- Use painter's tape to hold the selected halves together.
- Flip both pieces upside down.
- Measure and mark 7-7/8" in from both the left and right sides along the center seam.
- Use a compass set to a radius of 3-3/4" and position its center point on the marks. Then draw two circles.

Tip: For dog bowls smaller than 8" diameter, measure the diameter of the dog bowls at the inside top (not including any lip around the top) and divide that number in half for the radius to set a compass. If a compass is not available, search for a lid or container with approximately the same diameter, and use for tracing.

- Remove the tape to separate the two top pieces.
- Clamp the center of one 1" x 5-1/2" x 24" top piece to your work surface so one end overhangs the surface and the jigsaw blade clears it.
- Cut out the half circle.
- Repeat this process for the other half circle.
- Then repeat the preceding 3 steps for the other 1" x 5-1/2" x 24" top piece.
- Sand the circles smooth.

Attach the Bottom Supports

- Place both 1" x 5-1/2" x 24" top pieces side-by-side on a flat surface so complete circular shapes appear. Make sure their best side is facing down.
- Place a 1" x 1-3/4" x 11" bottom support along both ends of the top pieces, exactly 1" in from the top's outside edges. Refer to the illustration below.
- Pre-drill with a 1/8" drill bit and countersink each bottom support in order to place two screws 1" in from the top's outside edges and two screws 1" in from the shared edge (center seam).
- Attach the outer bottom supports to the top pieces with 2" #8 exterior wood screws.
- Mark and center the remaining 1" x 1-3/4" x 11" bottom support to the bottom of the top pieces and in between the two circle cut outs. Refer to the illustration below.
- Repeat the preceding steps to pre-drill, countersink and attach the center bottom support to the top pieces.



Attach the Legs

- Before pre-drilling two holes that are needed to secure each 1" x 5-1/2" x 7" leg to the bottom supports, position one leg against the edge of an outside bottom support and mark the two holes so that the screws will enter the edge of the support.
- Pre-drill the two holes at the top of the leg with a 1/8" drill bit and countersink.
- Attach the leg to the bottom support with 2" #8 exterior wood screws.
- Repeat the preceding 3 steps to attach the other 3 legs.

Attach the Front and Back Trim

- With the top pieces still face down, place the one 1" x 2-3/4" x 24" front trim piece along the outer edge of the top piece, making sure the trim piece is flush with the top piece.
- Pre-drill three holes on the trim piece with a 1/8" drill bit and countersink.
- Attach the front trim piece to the edge of the top piece with 2" #8 exterior wood screws.
- Repeat the preceding 3 steps to attach the one 1" x 2-3/4" x 24" back trim piece.

Attach the Side Trim

- With the top pieces still face down, place the 1" x 2-3/4" x 13" side trim along one untrimmed outer edge of the top pieces, making sure the trim piece is flush with the top pieces.
- Pre-drill three holes on the side trim piece with a 1/8" drill bit and countersink.
- Attach one side trim piece to the edge of the top pieces with 2" #8 exterior wood screws.
- Repeat the preceding 3 steps to attach the remaining side trim to the other untrimmed outer edge of the top piece.

Attach the Leg Cleats

- With the top pieces still face down, place and clamp one 1" x 1-3/4" x 11" leg cleat on the inside bottom of a pair of legs, making sure the cleat and legs are flush.
- Pre-drill four holes (two holes for each leg) on the cleat with a 1/8" drill bit and countersink.
- Attach the cleat to the legs with 2" #8 exterior wood screws.
- Repeat the preceding 3 steps to attach the remaining cleat to the inside bottom of the other two legs.
- For the safety of pets and people, slightly round the outside square corners with sandpaper.

Protect the Wood

- Lightly sand the assembled double dog bowl stand and wipe with a damp cloth. Allow the wooden surfaces to dry before applying a protective finish.
- Following the manufacturer's directions, apply a good quality indoor/outdoor spray spar urethane to all exposed wood surfaces and allow to dry thoroughly before using.

This document is for illustration purposes only. Use of this product must be in accordance with all local zoning and/or building codes. Consumer assumes all risks and liability associated with the use of this product. For details on safe handling, go to UFPI.com/ptinfo. Warrantor does not provide any warranty, either express or implied, and shall not be liable for any damages, including consequential damages. 7094 09/13

