

MULTI-PURPOSE FOLDABLE TABLE

PURCHASED MATERIALS:

- (6) 1" x 4" x 8' ProWood® ground-contact rated lumber
- (1) 1/2" x 4' x 8' untreated plywood
- (1) Box of #8 x 1" exterior wood screws
- (1) Box of #8 x 1-1/2" exterior wood screws
- Stainless steel continuous hinge
- Exterior-grade hardware:
 - (6) 3/8" - 16 thread wing nuts
 - (6) 3/8" washers
 - (6) 3/8" - 16 thread x 2.25" carriage bolts

Optional:

- Water sealer
- Wood glue
- Exterior primer and paint/stain

BASIC TOOLS:

- Tape measure
- Hand saw or jig saw
- Countersink bit
- Circular or table saw
- Power drill and bit
- Work gloves, hearing and eye protection

Optional:

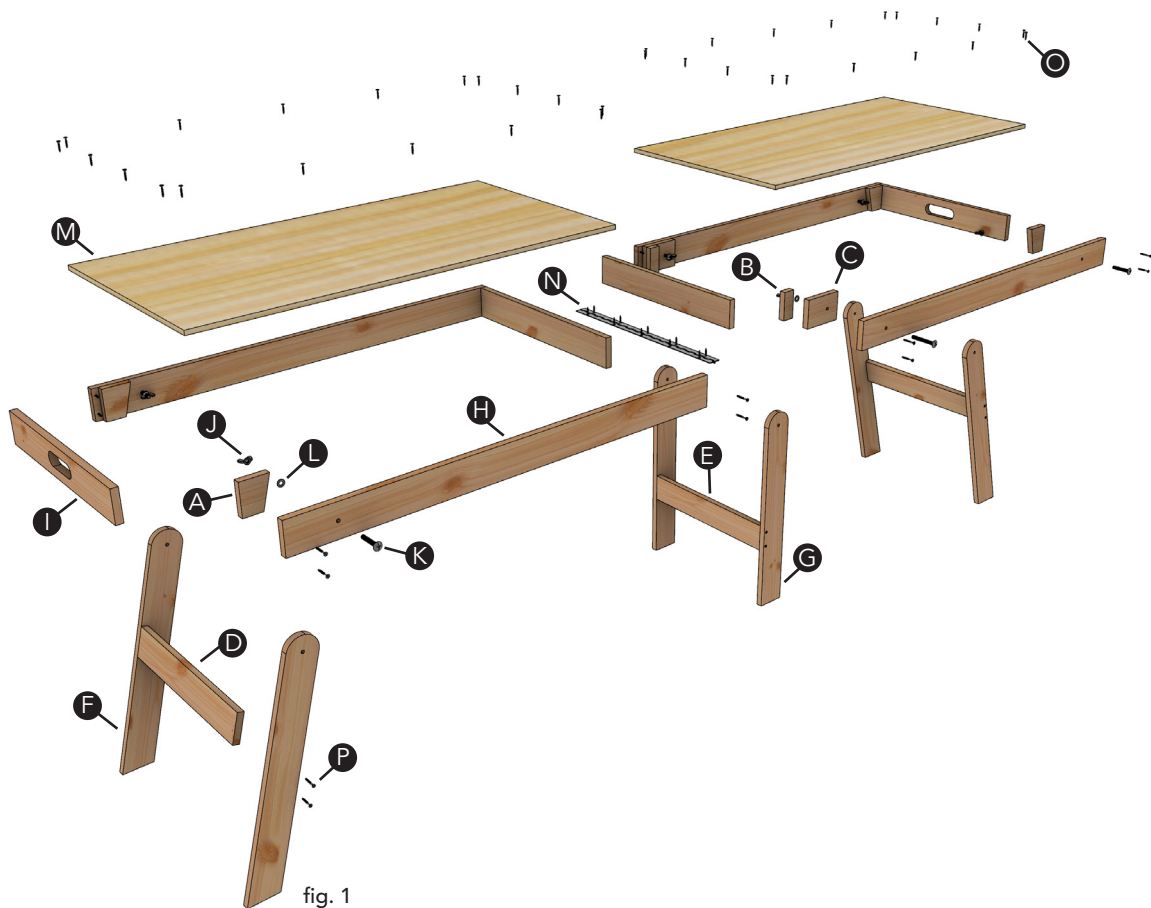
- Putty knife
- Hole saw
- Sander or sandpaper



GENERAL ASSEMBLY TIPS

- Always wear gloves, a dust mask, and eye protection when sawing, sanding, or machining wood.
- Always use a circular, miter, or table saw on a clean, flat, and level surface.
- Establish a screw pattern to enhance the overall look and feel of the final assembled product.
- Pre-drill all screw holes with a drill bit to ease screw insertion and prevent wood splitting.
- Countersink all screws so the head of a countersunk screw, when placed in the hole, will sit flush with the surface of the surrounding material.

ITEM NO.	NAME	QTY.	DESCRIPTION
A	Block - 105 Degree Stop	4	3/4" x 3" x 3-1/2"
B	Block - 90 Degree Stop	2	3/4" x 1-1/2" x 3-1/2"
C	Block - Spacer	2	3/4" x 3-1/2" x 5"
D	Leg - End Brace	2	3/4" x 3-1/2" x 21"
E	Leg - Mid Brace	1	3/4" x 3-1/2" x 19-1/2"
F	Leg - End	4	3/4" x 3-1/2" x 28-3/8"
G	Leg - Mid	2	3/4" x 3-1/2" x 27"
H	Rail - Side	4	3/4" x 3-1/2" x 48"
I	Rail - End	4	3/4" x 3-1/2" x 22-1/2"
J	Wing Nut	6	3/8" - 16 thread
K	Carriage Bolt	6	3/8" - 16 thread x 2.25"
L	Washer	6	3/8"
M	Tabletop	2	1/2" x 24" x 48"
N	Continuous Hinge	2	24"
O	Exterior Wood Screw	1 Box	#8 x 1"
P	Exterior Wood Screw	1 Box	#8 x 1-1/2"

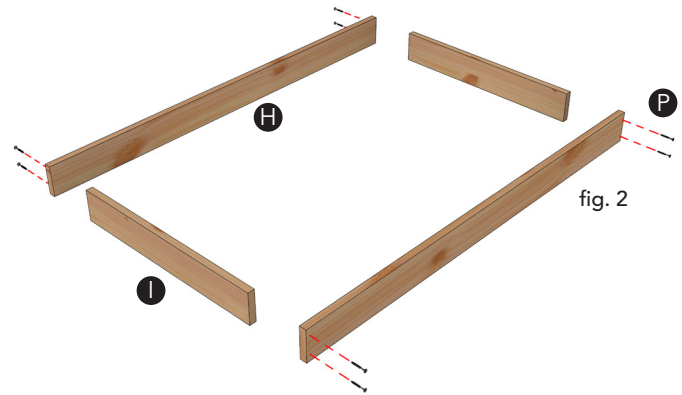


STEP 1

Assemble Tabletop Frames

See fig. 2

- Form a rectangle out of two rail ends (I) and two rail sides (H) to make the frame. Make sure ends are flush and square with the inside of the side boards.
- Attach ends and sides with screws (P) and wood glue (optional).

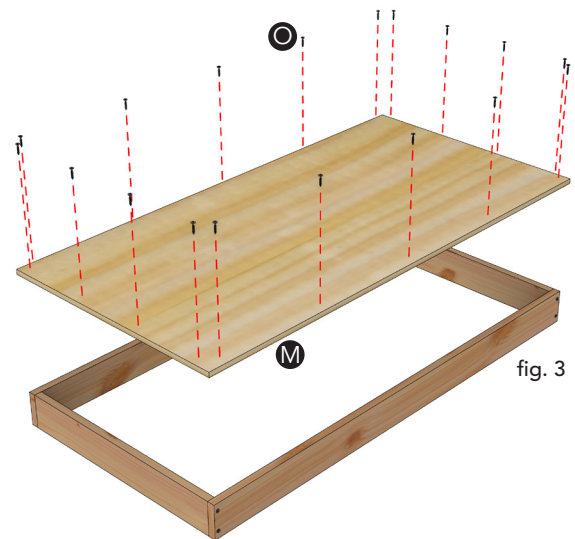


STEP 2

Create Tabletop Units

See fig. 3

- Measure and cut plywood to size. Lay the sheet (M) on top of frame. Make sure frame and tabletop edges are square and flush.
- Secure with evenly-spaced screws (O) around the perimeter. Repeat to build second tabletop unit.

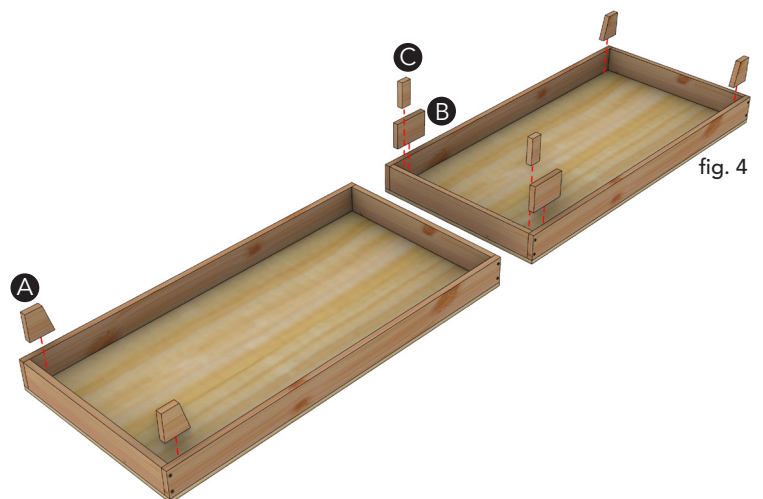


STEP 3

Attach Blocks

See fig. 4 & 5

- Flip over constructed table top carefully.
- Use figures 4 & 5 as a guide to attach blocks (A/B/C) and attach with screws (P).
- Be sure blocks and frames are square and flush.



STEP 4

Create and Attach Legs Frames

See fig. 6, 7 & 14- 16

- Measure and cut legs (F/G). Attach to braces (D/E) using screws (P). Reference figures 14-16 as a guide.
- TIP: To create a rounded end, use a compass and pencil to draw a curve.

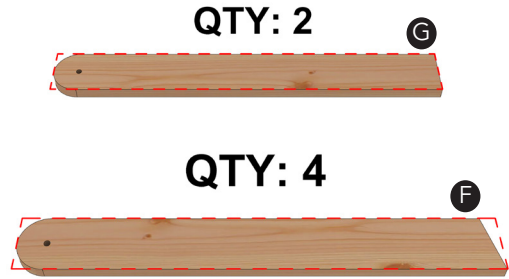


fig. 6

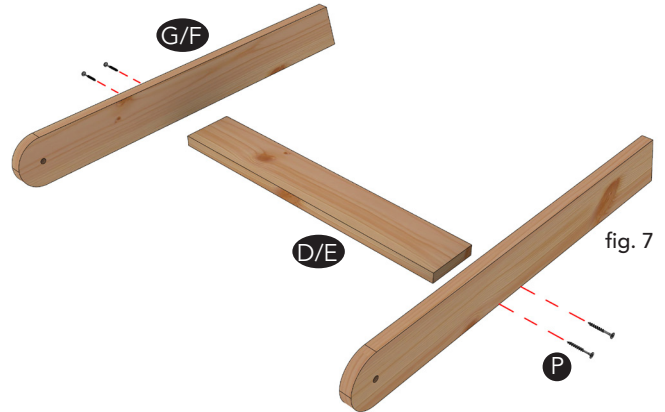


fig. 7

STEP 5

Attach Legs to Tabletop Unit

See fig. 8 & 9

- Use the figures 8 & 9 as a guide to position legs in the tabletop.
- With legs (F/G) in position, use the holes in the legs as a guide to pre-drill the rail sides (H).
- To attach each leg unit, insert a wing nut (J) with a washer (L) and a carriage bolt (K) as shown.

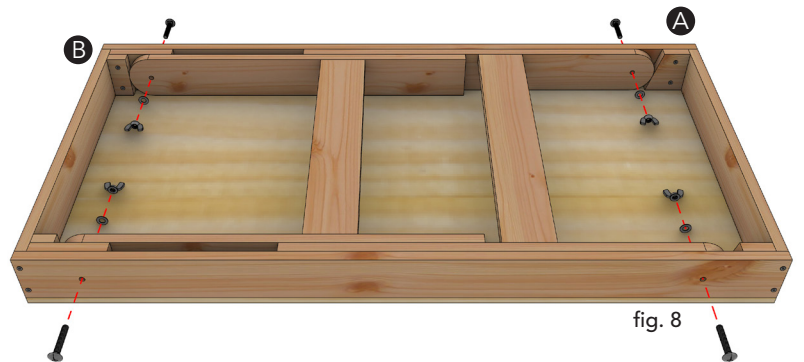


fig. 8

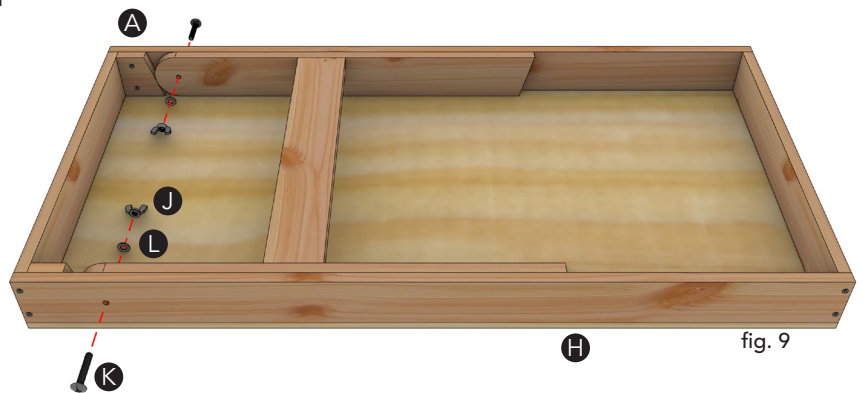


fig. 9

STEP 7

Attach Continuous Hinge

See fig. 10

- Align both tabletops with the end legs facing out. Be sure they are square and flush.
- Attach hinge (N) to connect tabletops as shown.

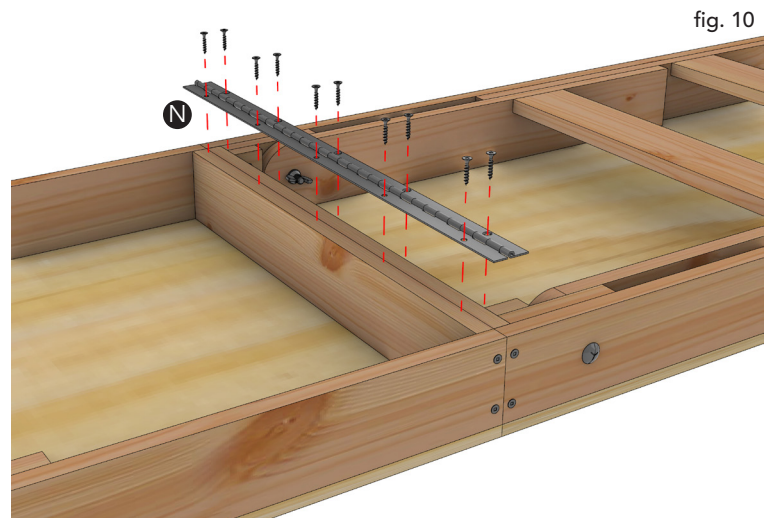


fig. 10

STEP 8

Optional Cut-Out Handle

See fig. 11

- Establish the location of the handle on rail ends (I) and use a drill bit or hole saw to create the holes.
- Draw lines connecting the holes and cut along those lines with a jigsaw.
- Smooth out edges with a sander or sandpaper.

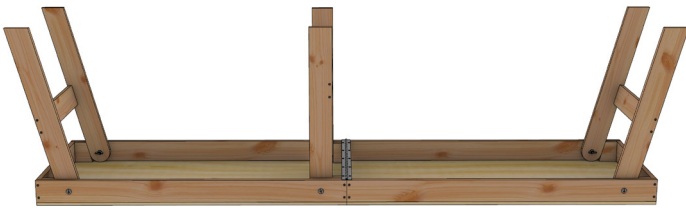


fig. 11

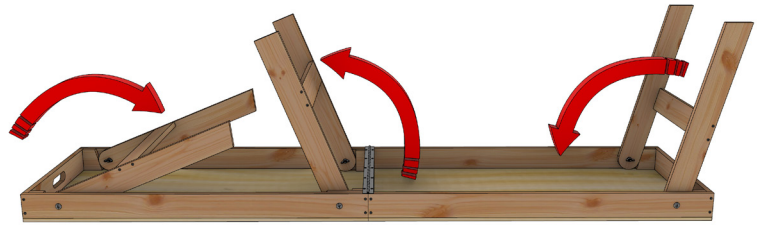
FOLDABLE FOR EASY STORAGE!

- Optional: Use a putty knife and apply exterior wood putty to all countersunk holes. When putty has dried, use sandpaper to smooth and debur all surfaces. Ideally, the top of the deck should be completely smooth.
- To preserve the wood, it's recommended to apply a quality stain/sealer or primer and paint.

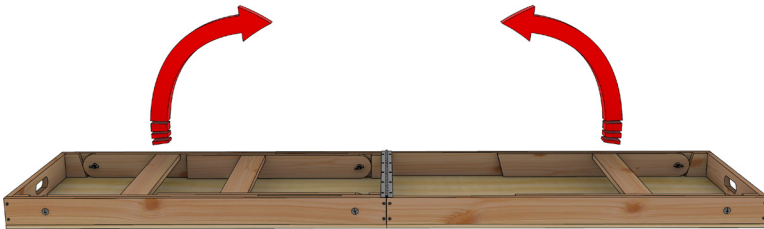
STEP 1



STEP 2



STEP 3



STEP 4



FINAL



THE BLUEPRINTS

fig. 12

CUT LIST			
ITEM NO.	NAME	QTY	DESCRIPTION MATERIAL
1	BLOCK - 105 DEGREE STOP	4	3/4" X 3" X 3 1/2"
2	BLOCK - 90 DEGREE STOP	2	3/4" X 1 1/2" X 3 1/2"
3	BLOCK - SPACER	2	3/4" X 3 1/2" X 5"
4	LEG - END BRACE	2	3/4" X 3 1/2" X 21"
5	LEG - MID BRACE	1	3/4" X 3 1/2" X 19 1/2"
6	LEG - END	4	3/4" X 3 1/2" X 28 3/8"
7	LEG - MID	2	3/4" X 3 1/2" X 27"
8	RAIL - SIDE	4	3/4" X 3 1/2" X 48"
9	RAIL - END	4	3/4" X 3 1/2" X 22 1/2"
10	WING NUT	6	3/8" - 16 THREAD
11	CARRIAGE BOLT	6	3/8" - 16 THREAD X 2.25"
12	WASHER	6	3/8"
13	TABLE TOP	2	1/2" X 24" X 48"
14	CONTINUOUS HINGE	2	24"

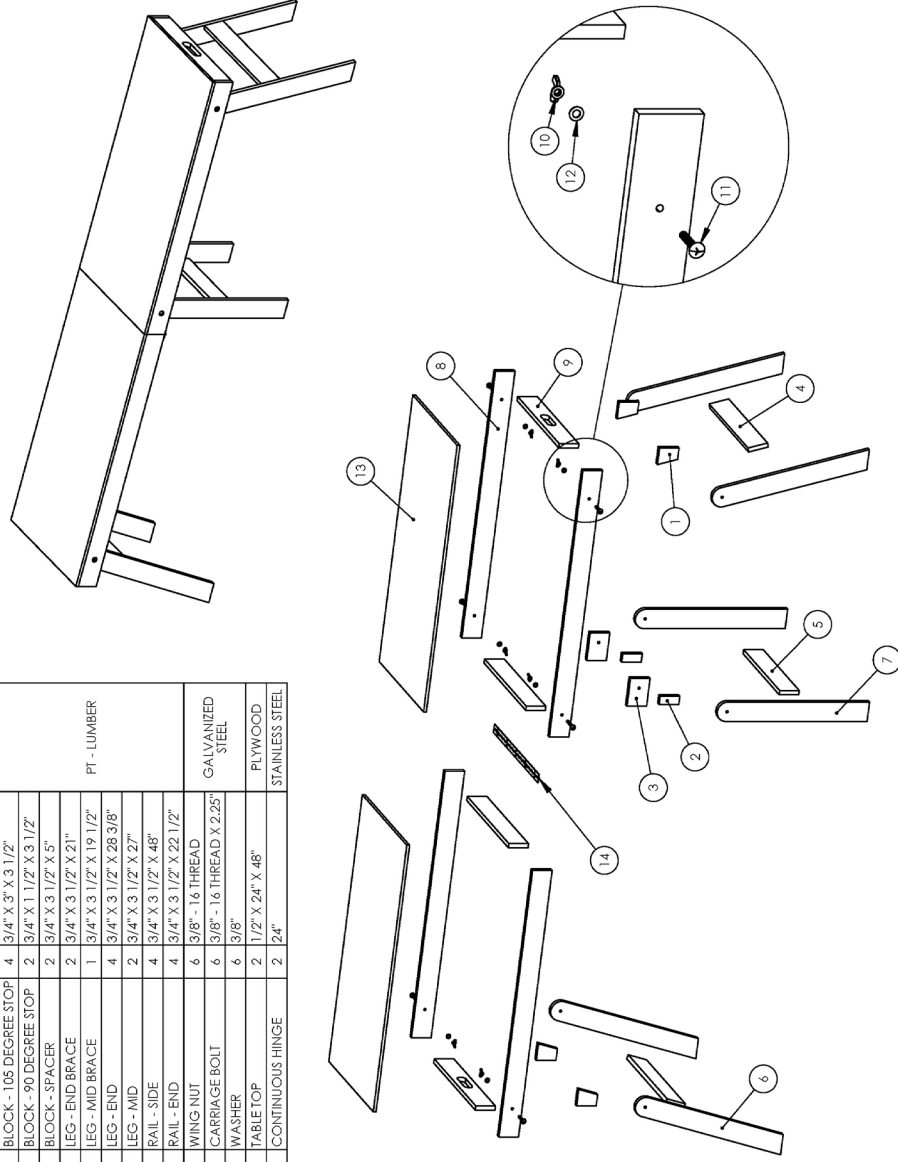
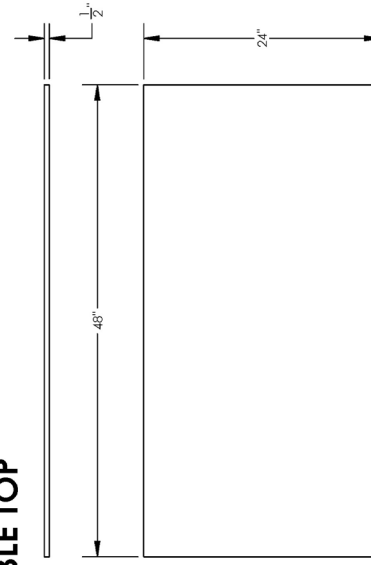
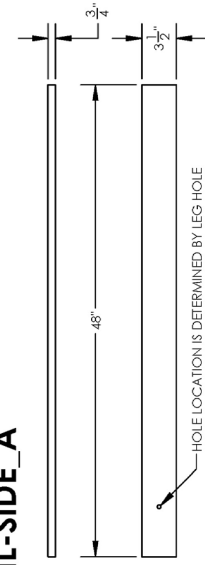


fig. 13

TABLE TOP



RAIL-SIDE_A



RAIL-SIDE_B

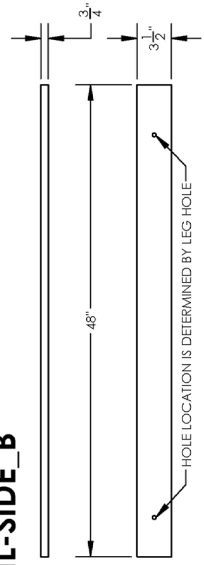


fig. 14

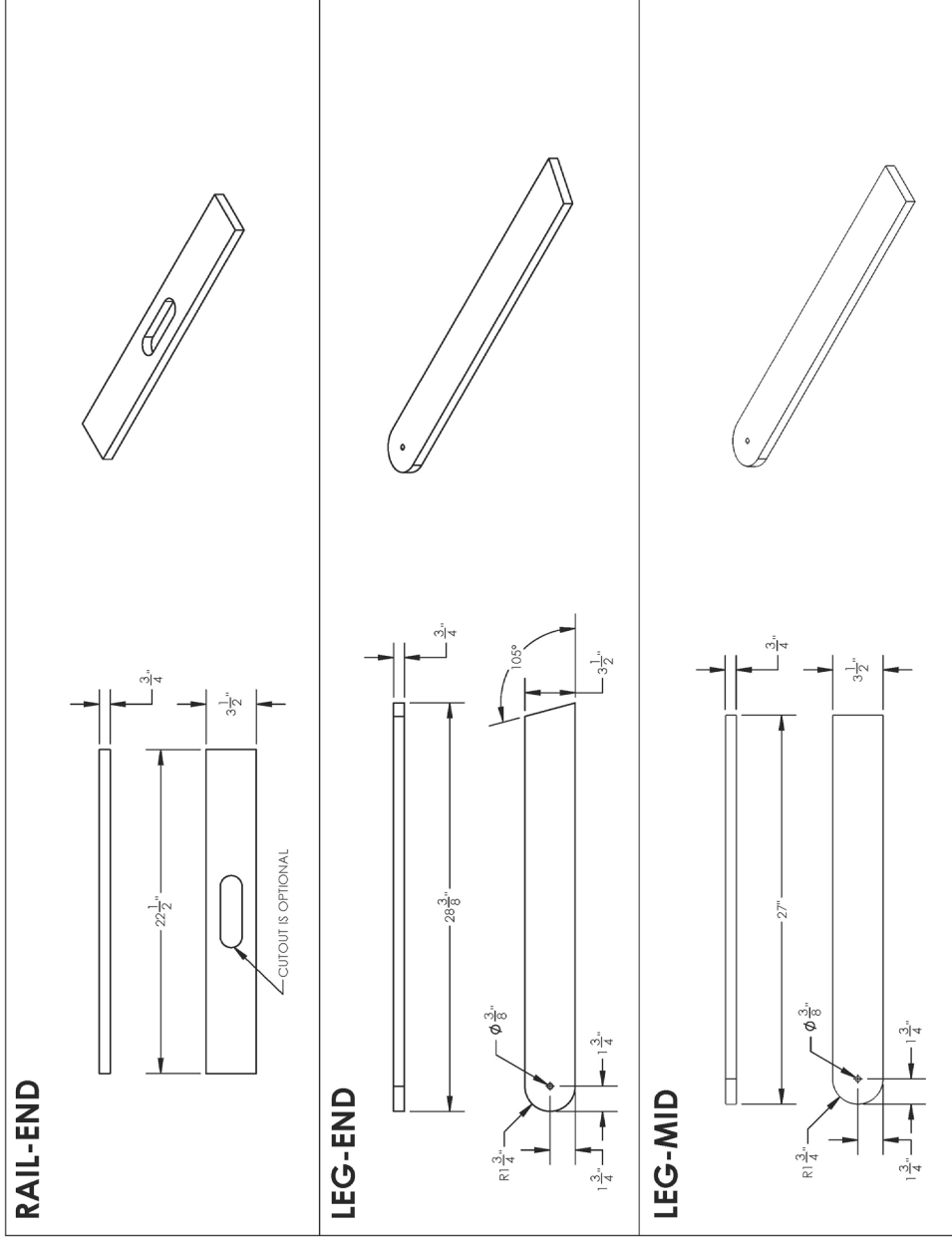


fig. 15

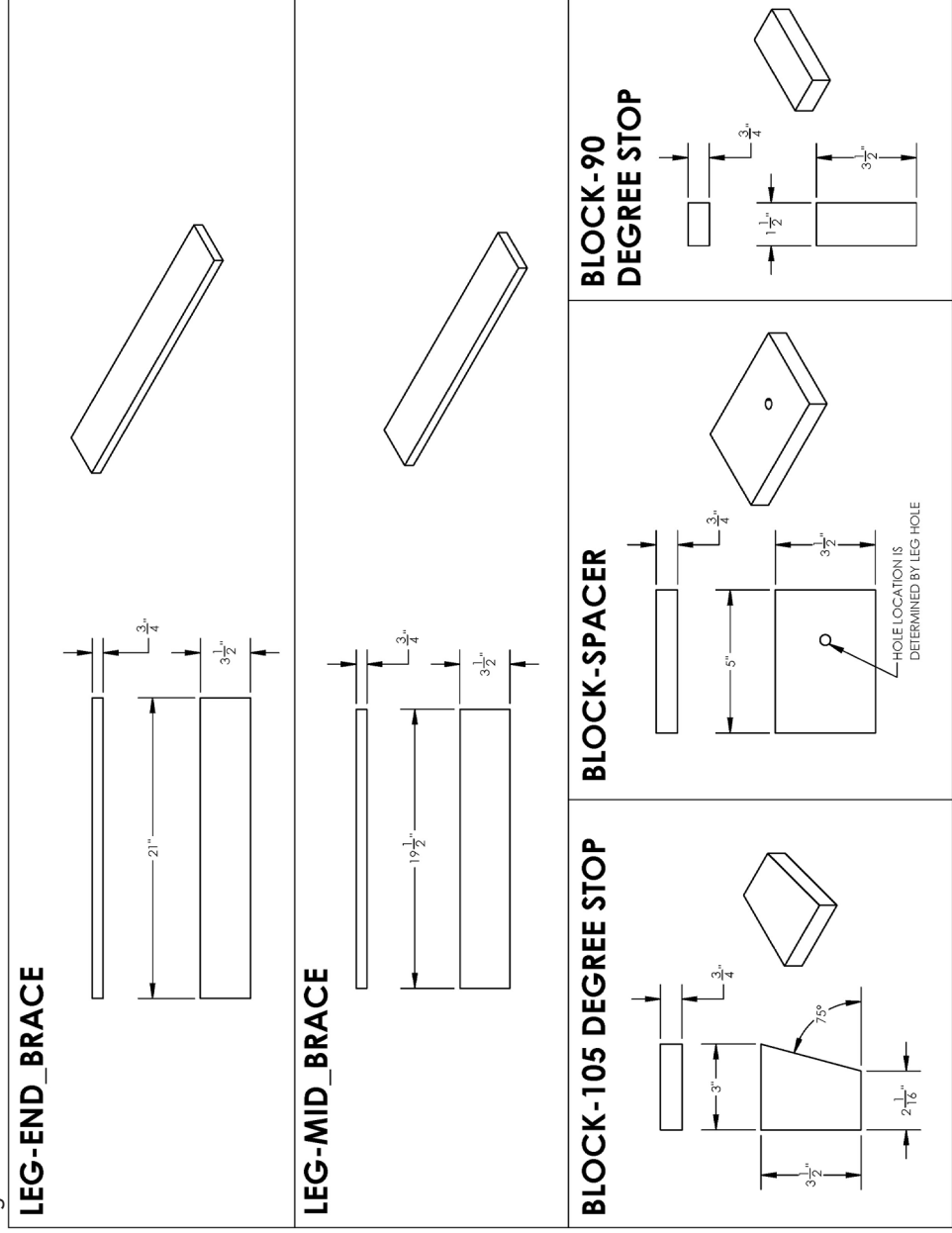


fig. 16

