

CORNHOLE GAME BOARD AND BAGS

REQUIRED MATERIALS

For two 24" x 48" game boards:

- (x2) 4' x 8' x 1/2" ProWood® pressure-treated untreated boards
- (x8) 2" x 4" x 8' ProWood® pressure-treated untreated boards
- (x1) Box of 3" #8 galvanized screws
- (x1) Box of 1-5/8" #8 galvanized screws
- Exterior wood glue

Optional:

- Wood putty
- Exterior stain/sealer or primer and paint

For eight cornhole bags:

- Two yards of two different colors of lightweight duck cloth
- 16 cups of feed corn (approx. 8 lbs.)

BASIC TOOLS:

For two 24" x 48" game boards:

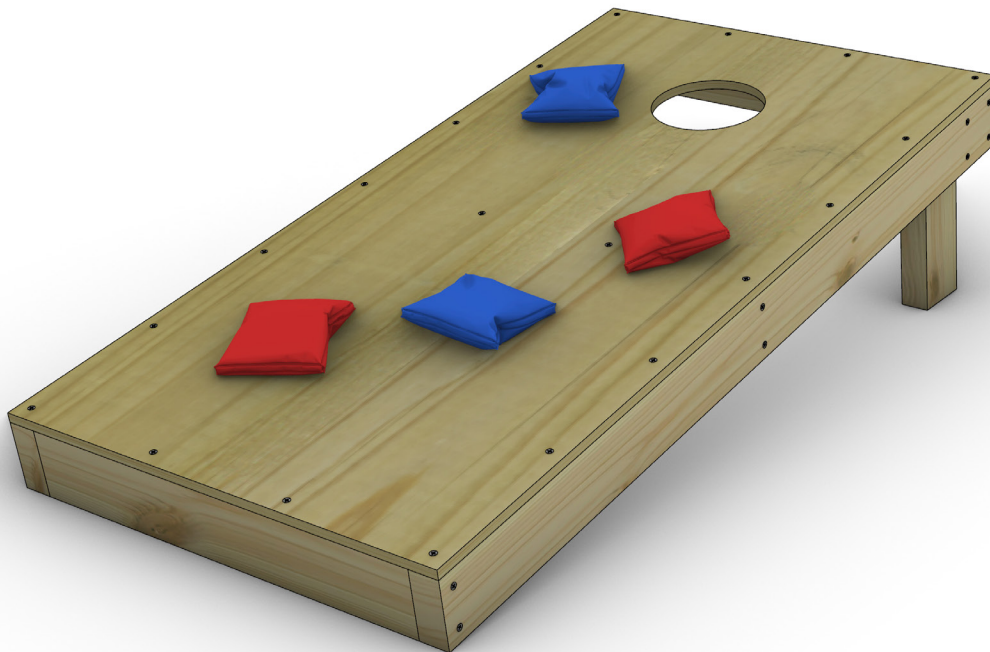
- Tape measure
- Carpenter's square
- Circular or table saw
- Jigsaw
- Countersink bit
- Screwdriver (or power drill with a Phillips 1/8" bit)

Optional:

- Sandpaper (coarse, medium, and fine grit)

For eight cornhole bags:

- Tape measure
- Scissors
- Sewing machine/ large eye sewing needle
- Upholstery thread



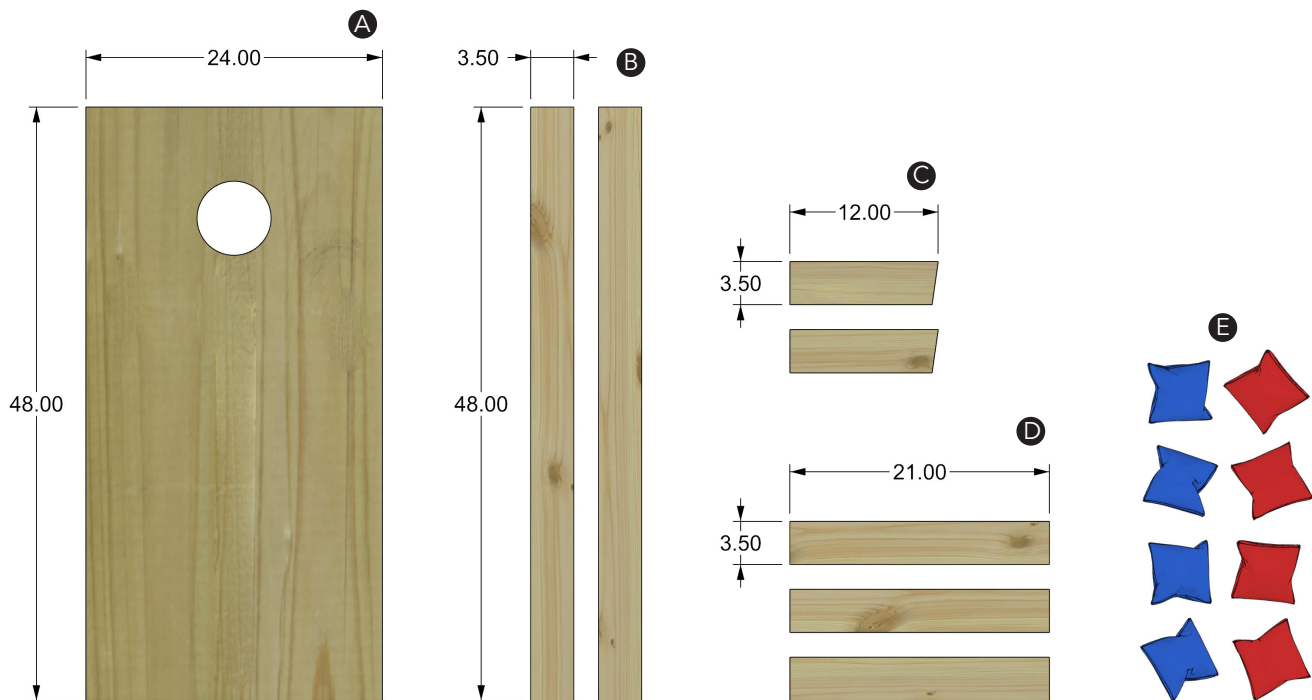
CUT WOOD TO SIZE

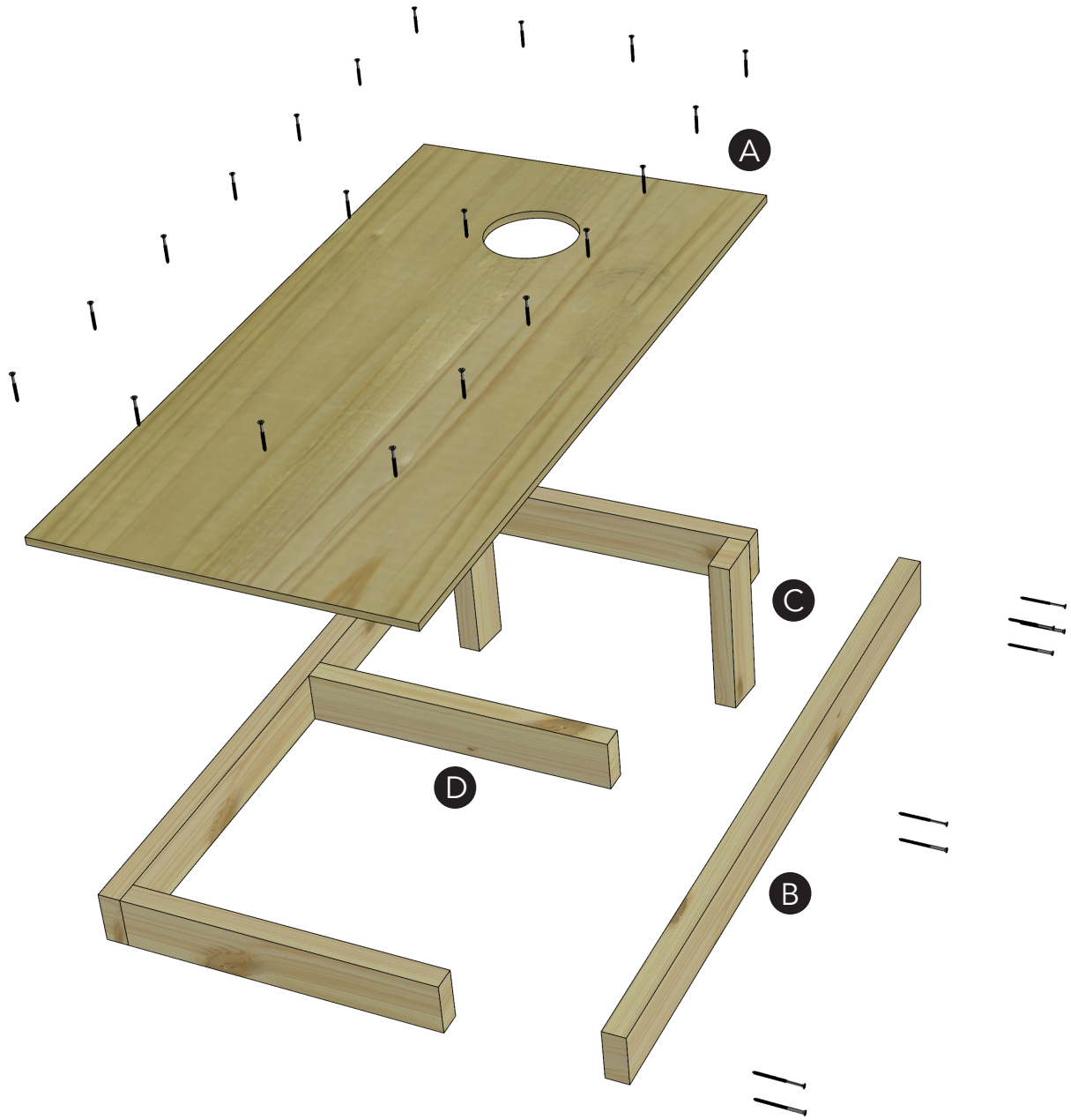
Caution: Always wear gloves, a dust mask and eye protection when sawing, sanding or machining wood. Always use a circular, miter saw or table saw on a clean, flat and level surface.

GENERAL ASSEMBLY TIPS

- Establish a screw pattern to enhance the overall look and feel of the final assembled product.
- Pre-drill all screw holes with a drill bit to ease screw insertion and prevent wood splitting.
- Countersink all screws so the head of a countersunk screw, when placed in the hole, will sit flush with the surface of the surrounding material.

ITEM NO.	NAME	QTY.	DESCRIPTION
A	Deck	2	24" x 48" x 1/2"
B	Sides	4	2" x 4" x 48"
C	Legs	4	2" x 4" x 12"
D	Ends and Center Brace	6	2" x 4" x 21"
E	Bags	8	7" x 7" x 7"





STEP 1

Cut the Deck Holes

See fig. 1

- Make two measurements on the deck board: from the end to the center, make a mark at 9 in. and another mark centered at 12 in. from the 8 ft. side.
- Position a compass point at the interaction of those two marks and draw a circle with a diameter of 6 in.
- Use a jigsaw to cut out the circle (Note: drill a hole anywhere inside the circle to give a place for the jigsaw blade to start).
- Repeat this step for the second deck board.

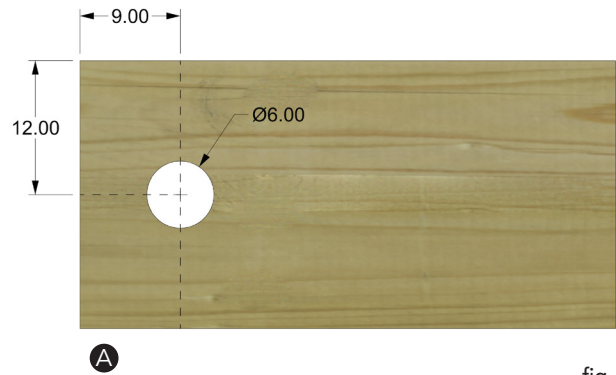


fig. 1

STEP 2

Assemble the Frames

See fig. 2

- Form a rectangle out of two ends and two side boards (make sure ends are flush and square with the inside of the side boards) to make a frame.
- Attach ends and sides with 3" #8 galvanized screws and wood glue.
- Repeat this step for the second frame.

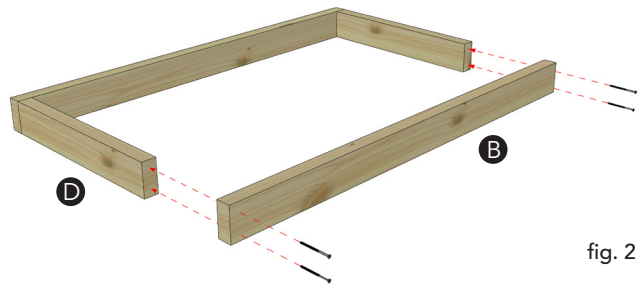


fig. 2

STEP 3

Attach the Center Braces

See fig. 3

- Align the center brace between the two side boards and make sure edges are flush and square.
- Attach boards using 3" #8 galvanized screws and wood glue.
- Repeat step for second center brace and frame.

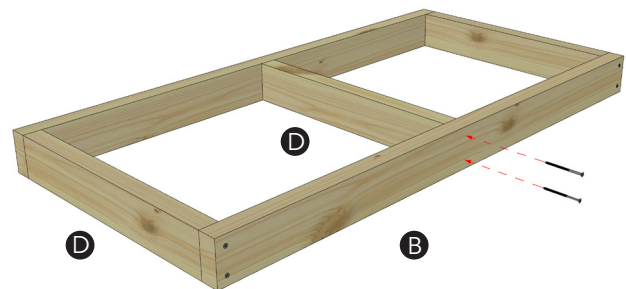


fig. 3

STEP 4

Attach the Legs

See fig. 4 and fig. 5

- Make a 11-1/2 in. mark down the edge of one leg's corner. Draw a diagonal line to the opposite corner and cut along that line. Repeat for second leg.
- Position legs in the upper two corners of the frame with the diagonal cut flush with the top edge.
- Attach legs with 3"#8 galvanized screws and wood glue.
- Repeat step for second set of legs and frame.

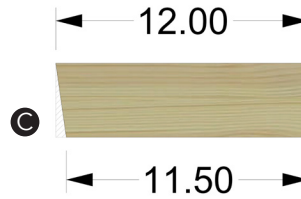


fig. 4

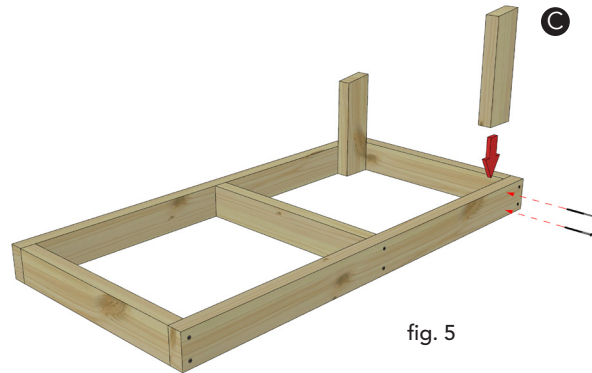


fig. 5

STEP 5

Attach the Decks

See fig. 6 and fig. 7

- Flip the board over onto its legs. Lay the deck on top of the frame with the best side facing outward.
- Align edges of the deck with the frame so they are flush together. Attach the sides and center brace with 1-5/8" #8 galvanized screws and wood glue.
- Repeat for second deck and frame.

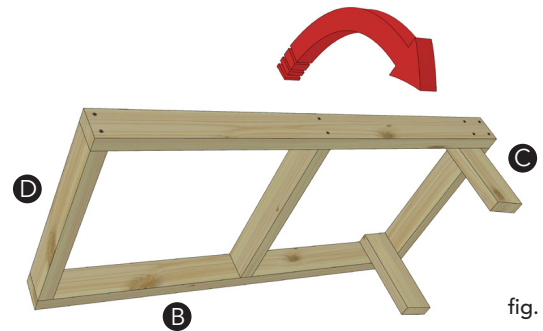


fig. 6

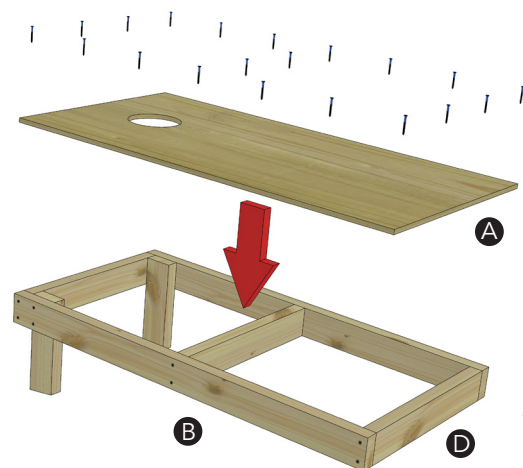


fig. 7

STEP 6 (OPTIONAL)

Finish the Assembled Game Boards

- Use a putty knife and apply exterior wood putty to all countersunk holes.
- When putty has dried, use sandpaper to smooth and debur all surfaces. Ideally, the top of the deck should be completely smooth.
- To preserve the wood, apply a quality stain/sealer or primer and paint.

STEP 7 (OPTIONAL)

Build Cornhole Game Bags

Prepare the Fabric

- It's recommended to reshrink the fabric by washing and drying it.
- Measure and cut fabric into eight 7" x 7" squares of each color (for a total of sixteen squares).

Sew the Bags

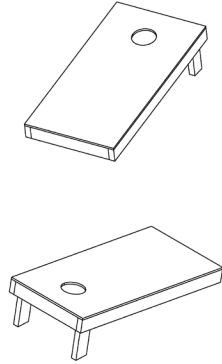
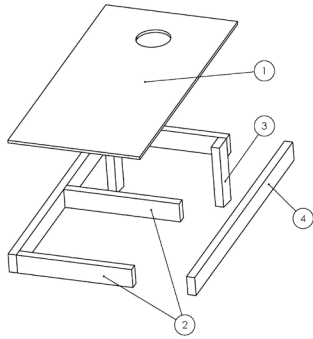
- Take two squares of the same color and use upholstery thread to sew them back-to-back with a 1/4" hem on each side (leave a small section unsewn to fill bags with feed corn).
- Turn the bags inside out to hide the seams.

Fill the Bags

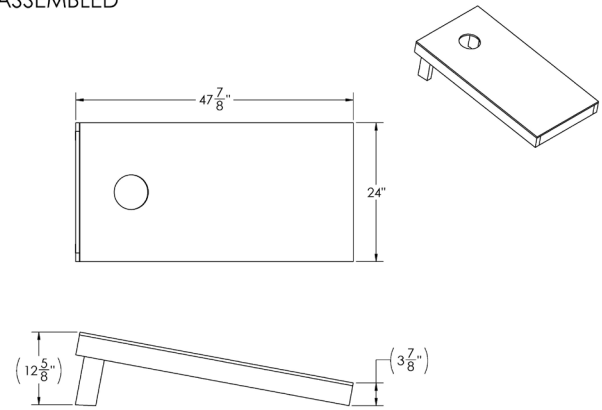
- Fill each bag with approximately two cups of feed corn (so each bag weighs about 1 lb.).
 - Double stitch the bag opening closed.
-

THE BLUEPRINTS

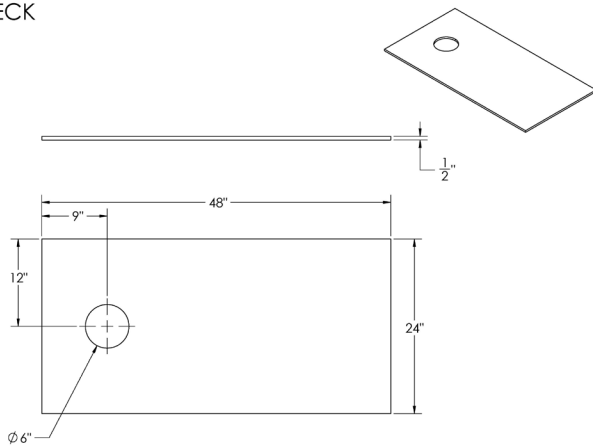
ITEM NO.	NAME	QTY.	DESCRIPTION
1	Deck	1	1 1/2" x 24" x 48"
2	Ends and Center Brace	3	1 1/2" x 3 1/2" x 21"
3	Legs	2	1 1/2" x 3 1/2" x 12"
4	Sides	2	1 1/2" x 3 1/2" x 21"



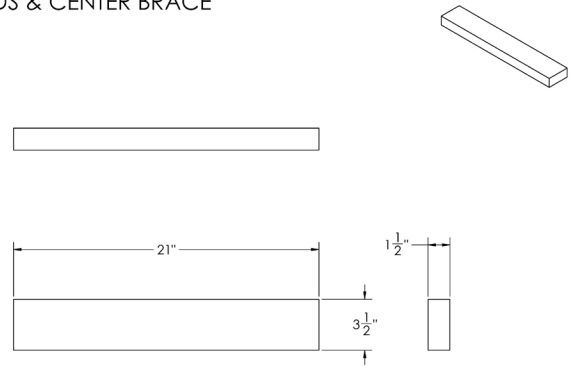
ASSEMBLED



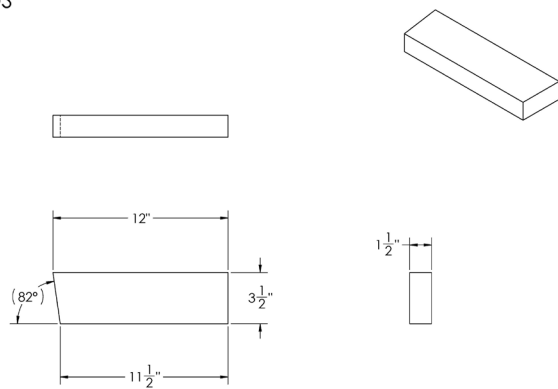
DECK



ENDS & CENTER BRACE



LEGS



SIDES

